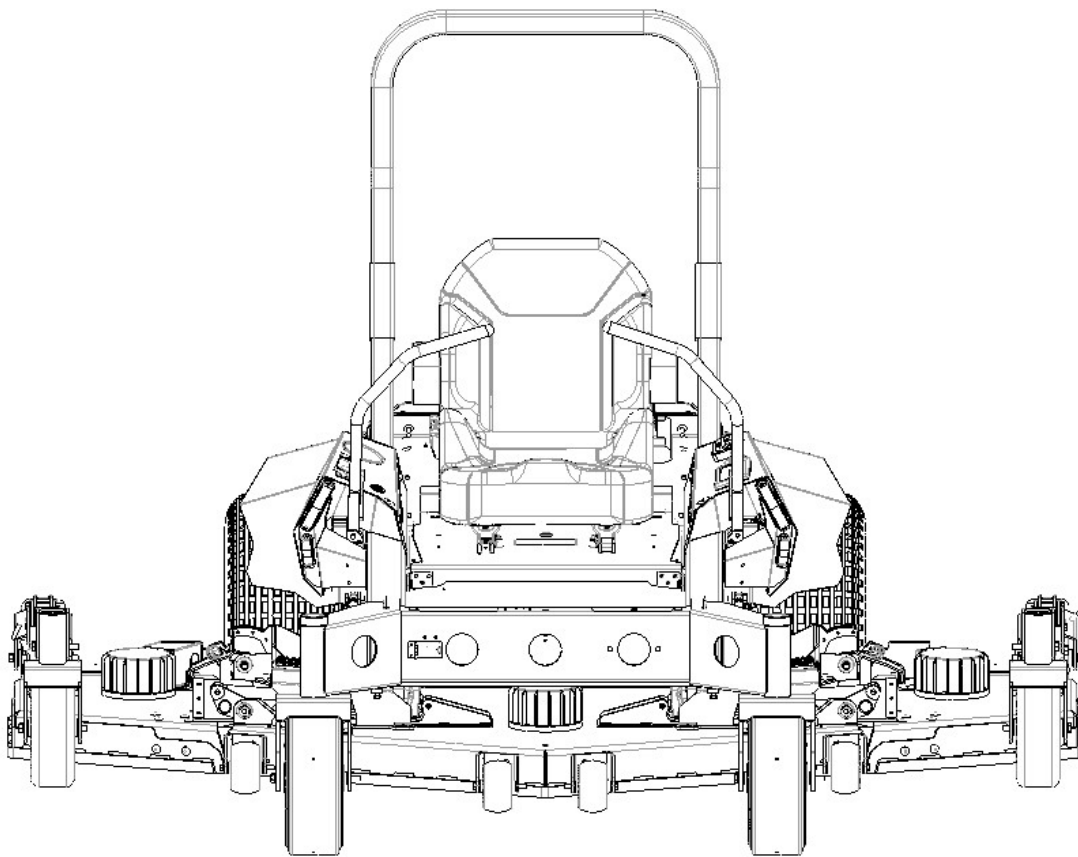




EVO 96" ZTR

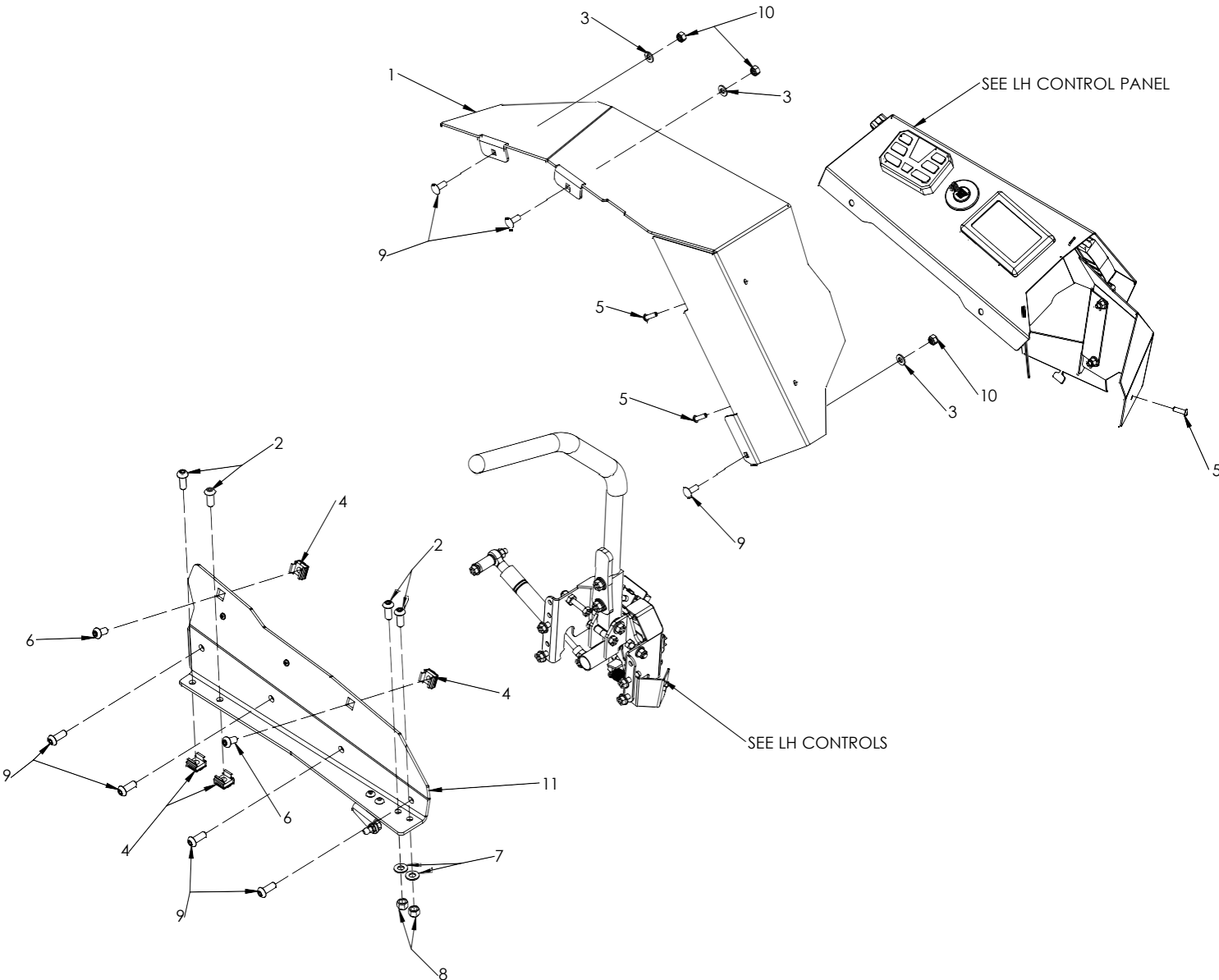
Parts Manual



CONTENT

LH CTRLS OVERVIEW	2-3
LH CTRLS	4-5
LH CTRL PANEL	6-7
LH CTRL PANEL MOUNT	8-9
RH CTRLS OVERVIEW	10-11
RH CTRLS	12-13
RH CTRL PANEL	14-15
RH CTRL PANEL MOUNT	16-17
SEAT ASSEMBLY	18-19
ROPS ASSEMBLY	20-21
LOWER BULKHEAD	22-23
MAIN BULKHEAD	24-25
LH FRAME	26-27
RH FRAME	28-29
LH DRIVE ASSEMBLY	30-31
RH DRIVE ASSEMBLY	32-33
BACK END ASSEMBLY	34-35
BATTERY ASSEMBLY	36-37
LH FAN ASSEMBLY	38-39
RH FAN ASSEMBLY	40-41
FLOOR ASSEMBLY	42-43
FOOT REST ASSEMBLY	44-45
FRONT BEAM ASSEMBLY	46-47
YOKE ASSEMBLY	48-49
DECK STABILIZER ASSEMBLY	50-51
DECKLIFT ASSEMBLY	52-53
DECK CHAIN ASSEMBLY	54-55
96RD DECK OVERVIEW	56-57
96RD DECK CENTER	58-62
96RD DECK LH WING	63-66
LH WING BOGIE WHEEL ASSEMBLY	67-68
96RD DECK RH WING	69-72
RH WING BOGIE WHEEL ASSEMBLY	73-74
BOGIE WHEEL YOKE	75-76
SERVICE PARTS	77

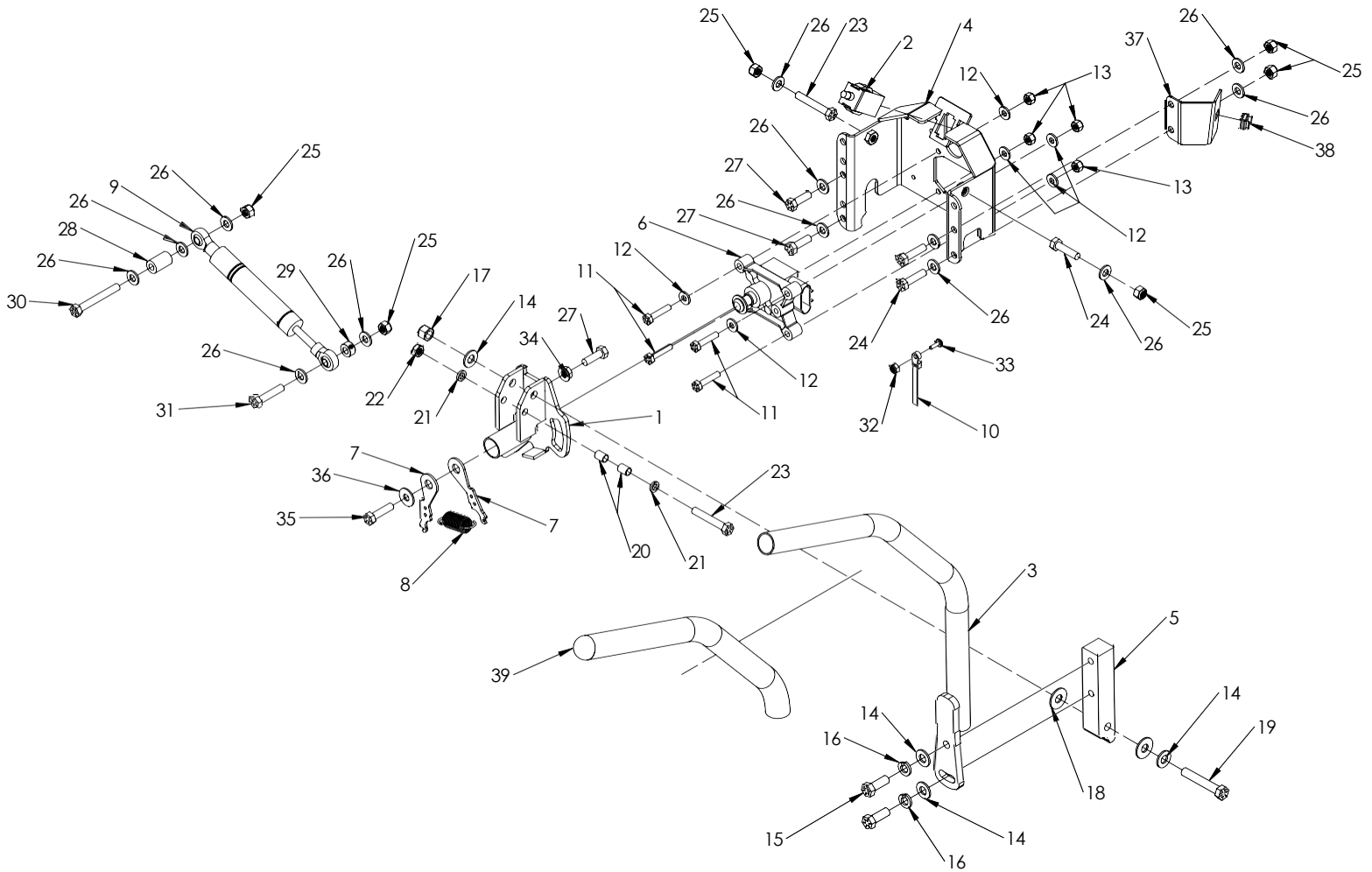
LH CTRLS OVERVIEW



LH CTRLS OVERVIEW

ITEM	PART#	QTY	DESCRIPTION
1	MGEVO166	1	ALOR-FENDER-LH
2	MGHDW602	4	BHSCS-3/8-16x1.00-BHSCS-SS18-8
3	MGHDW215	3	5/16 FW, GR5 ZP
4	MGHDW318	4	NUT, 3/8-16, CAGE NUT, Z
5	MGHDW605	3	SCS, 1/4-20 x 3/4, BHSCS, S/S 18-8
6	MGHDW602-1	6	SCS, 3/8-16 x 0.75, BHSCS, S/S 18-8
7	MGHDW202-1	2	WASHER, 3/8 SAE, FLAT, Z
8	MGHDW305-1	2	NUT, 3/8-16, NYLOCK, Z
9	MGHDW706	3	CARRIAGE BOLT, 5/16-18 x 3/4, FT, Z
10	MGHDW304-1	3	NUT, 5/16-18, NYLOCK, Z
11	MGEVO144	1	ALOR-INNER CONTROL PLATE-LH

LH CTRLS



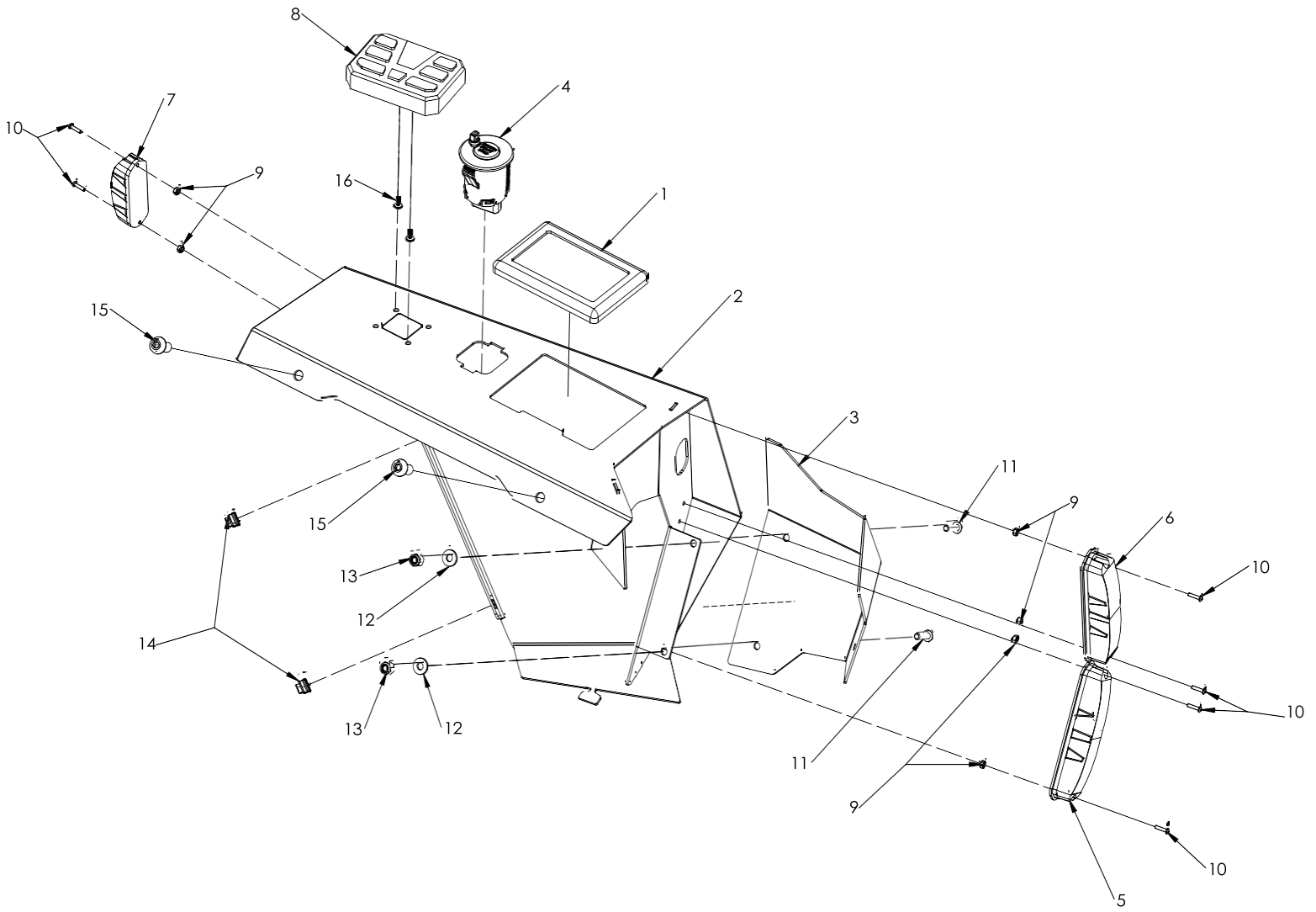
LH CTRLS

ITEM	PART#	QTY	DESCRIPTION
1	A0003239764	1	ST47 CTRL-LEFT LEVER-WELDMENT
2	MGELC019	1	LAP BAR SAFETY SWITCH
3	AMGEVO06	1	WDMT-HANDLEBAR-EVO
4	A0002957257	1	ST47 BRACKET-LFT CTRL MOUNT WELDMENT
5	A0003458310	1	ST47 PLATE-CONTROLS ARM MOUNT
6	MGELC068	1	RTN-LEFT HAND SIDE(2019)
7	MGUPN046	2	PLATE-CONTROL SPRING RETURN
8	MGUPN047	1	SPRING-2.0LG .630D .08WIRE
9	MGUPN048	1	CONTROLS DAMPENR 9.5 X 24 SROID
10	MGUPN049	1	ZIP TIE
11	MGHDW103	4	HCS, 1/4-20x1-1/4, PT, YZ
12	MGHDW200	6	WASHER, 1/4 SAE FLAT, YZ
13	MGHDW303	4	NUT, 1/4-20, NYLOCK, YZ
14	MGHDW202	4	WASHER, 3/8 SAE, FLAT, YZ
15	MGHDW120	2	HCS, 3/8-16 x 1, FT, YZ
16	MGHDW204	2	WASHER, 3/8 MED SPLIT, LOCK, YZ
17	MGHDW305	1	NUT-3/8-16-NYLOCK, YZ
18	MGHDW203	2	WASHER, 3/8 ID x 1 OD x 1/16 THK, NYLON
19	MGHDW126	1	HCS, 3/8-16 x 2-1/4, PT, YZ
20	MGHDW409	2	SPACERS, 5/16 ID x 1/2 L, BLK, PLASTIC
21	MGHDW223	2	WASHER, 5/16 IDx 0.5 ODx 0.095 THK,NYLON
22	MGHDW302	1	NUT, 5/16-18, HALF NYLOCK, YZ
23	MGHDW163	2	HCS, 5/16-18 x 2, TAP, YZ
24	MGHDW111	3	HCS, 5/16-18 x 1-1/4, FT, YZ
25	MGHDW304	8	NUT, 5/16-18, NYLOCK, YZ
26	MGHDW201	15	WASHER, 5/16 SAE, FLAT, YZ
27	MGHDW110	3	HCS, 5/16-18 x 1, FT, YZ
28	MGHDW413	1	SPACERS, 5/16 ID x 5/8 OD x 1L, Z
29	MGHDW400	1	SPACERS, 5/16 ID x 5/8 OD x 5/16 W, SHAFT COLLAR
30	MGHDW116	1	HCS, 5/16-18 x 2-1/2, PT, YZ
31	MGHDW112	1	HCS, 5/16-18 x 1-1/2, PT, YZ
32	MGHDW308	1	NUT, #10, NYLOCK, 2, Z
33	MGHDW500	1	MS, #10-32 x 1/2, PPH, Z
34	MGHDW300	1	NUT, 5/16-18, SERR FLANGE, YZ
35	MGHDW169	1	HCS, 5/16-24 x 1-1/4, FT, YZ
36	MGHDW201-2	1	WASHER, 5/16 ASME, TYPE B, Z
37	MGEVO152	1	ALOR-FRONT DIFFUSER STABILIZER-LH
38	MGHDW315	1	NUT, 1/4"-20, CAGE NUT, Z
39	MGUPN147	1	EVO, RVL, CXR, NXR, HAND GRIP

MEAN GREEN PRODUCTS

4404 Hamilton Cleves Rd, Hamilton, OH 45013

LH CTRL PANEL



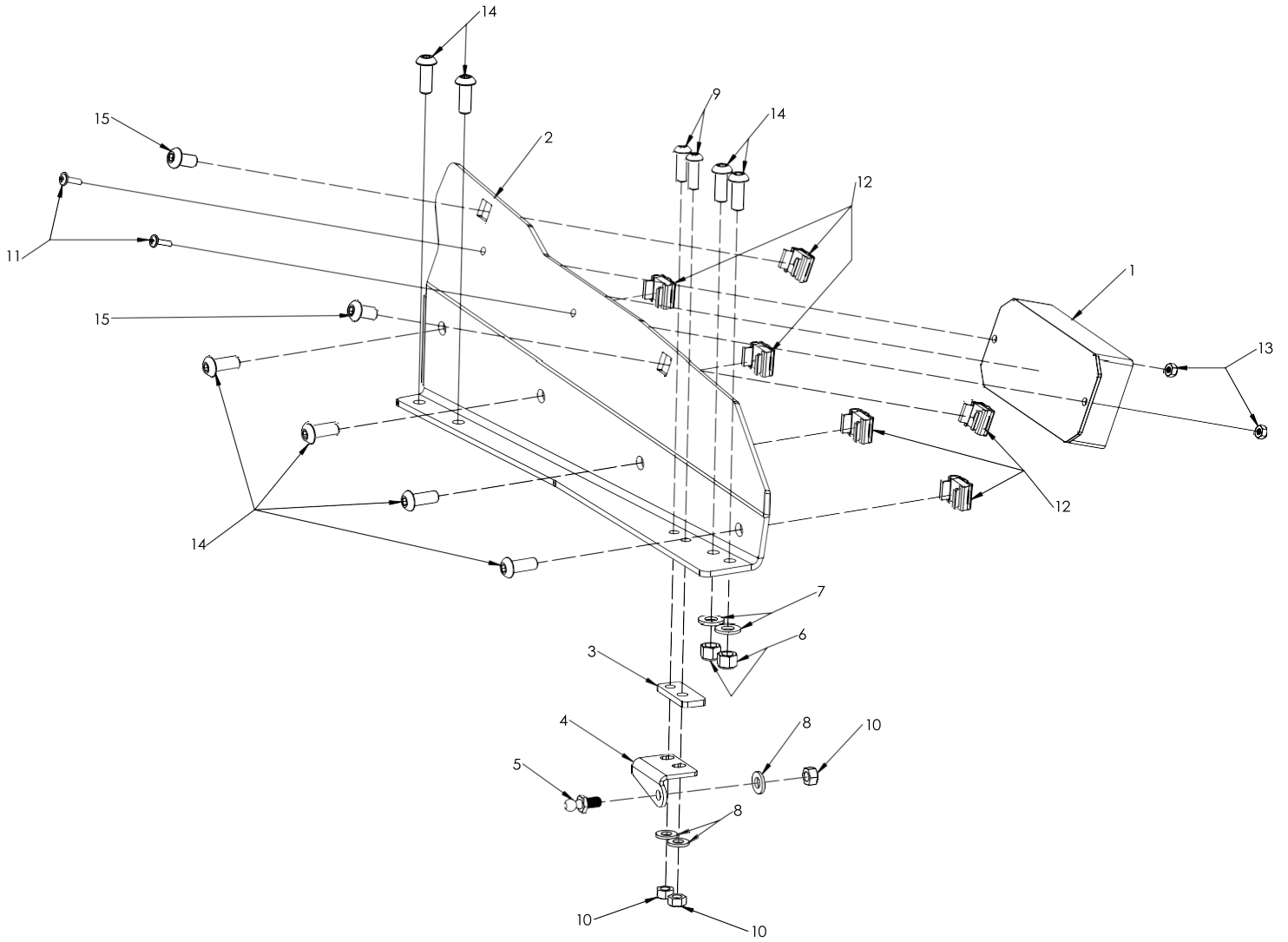
LH CTRL PANEL

ITEM	PART#	QTY	DESCRIPTION
1	MGELC117	1	TOUCH SCREEN DISPLAY
2	AMGEVO53	1	ALOR-WDMT-CTRL PANEL-LH
3	MGEVO147	1	ALOR-CONTROL PANEL DIFFUSER-LH
4	MGELC116	1	PUSH BUTTON START (PBS)
5	MGELC261-1	1	EVO RLK FRONT LOWER LIGHT
6	MGELC261-2	1	EVO RLK FRONT UPPER LIGHT
7	MGELC262-1	1	EVO RLK REAR LIGHT
8	MGELC273	1	EVO RLK CONTROLLER
9	MGHDW357-1	6	NUT, #4-40, NYLOCK, 18-8 S/S
10	MGHDW529-4	6	MS, #4-40 X 1/2, PPH, 18/8 S/S
11	MGHDW605	2	SCS, 1/4-20 x 3/4, BHSCS, S/S 18-8
12	MGHDW200-1	2	WASHER, 1/4 SAE, FLAT, YZ
13	MGHDW303-1	2	NUT, 1/4-20, NYLOCK, Z
14	MGHDW315	2	NUT, 1/4"-20, CAGE NUT, Z
15	MGHDW602-1	2	SCS, 3/8-16 x 0.75, BHSCS, S/S 18-8
16	MGHDW517-2	2	MS, #8-32 X 3/8, PPH, Z
1	MGELC117	1	TOUCH SCREEN DISPLAY

MEAN GREEN PRODUCTS

4404 Hamilton Cleves Rd, Hamilton, OH 45013

LH CTRL PANEL MOUNT



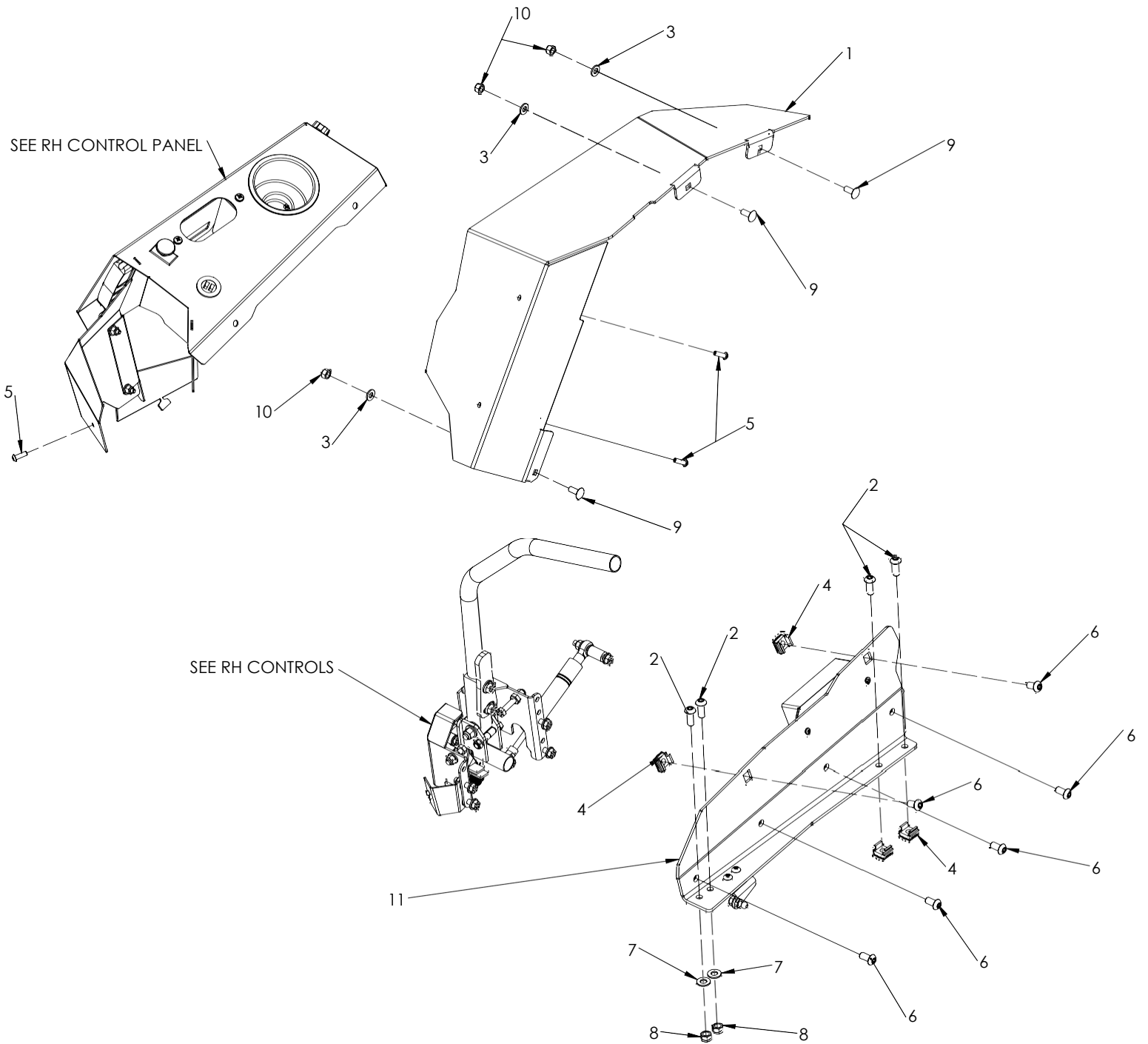
LH CTRL PANEL MOUNT

ITEM	PART#	QTY	DESCRIPTION
1	MGELC118-4	1	DECK LIFT MODULE, W/ USB PORT
2	MGEVO144	1	ALOR-INNER CONTROL PLATE-LH
3	MGEVO079	1	GAS SHOCK BRACKET-LOWER SPACER
4	MGEVO078-LH	1	GAS SHOCK BRACKET-LOWER-LH
5	MGUPN095	1	SCREW-UNIVERSAL JOINT-EZTR
6	MGHDW305-1	2	NUT, 3/8-16, NYLOCK, Z
7	MGHDW202-1	2	WASHER, 3/8 SAE, FLAT, Z
8	MGHDW201-1	3	WASHER, 5/16 SAE, FLAT, Z
9	MGHDW617	2	SCS, 5/16-18 x 1, BHSCS, S/S 18-8
10	MGHDW319	3	NUT, 5/16-18, TOP LOCK, Z
11	MGHDW506	2	MS, #10-32 x 5/8, PPH, Z
12	MGHDW318	6	NUT, 3/8-16, CAGE NUT, Z
13	MGHDW308	2	NUT, #10, NYLOCK, Z
14	MGHDW602	8	SCS, 3/8-16 x 1.00, BHSCS-S/S 18-8
15	MGHDW602-1	2	SCS, 3/8-16 x 0.75, BHSCS, S/S 18-8

MEAN GREEN PRODUCTS

4404 Hamilton Cleves Rd, Hamilton, OH 45013

RH CTRLS OVERVIEW



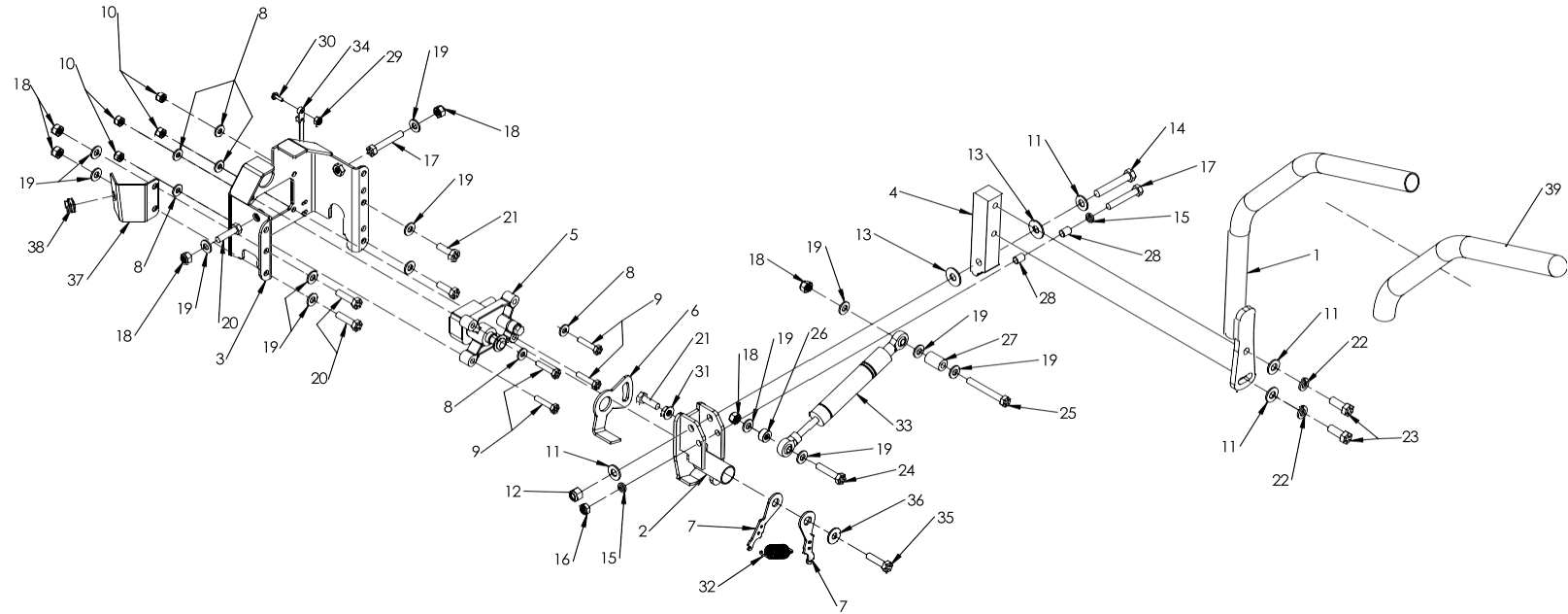
RH CTRLS OVERVIEW

ITEM	PART#	QTY	DESCRIPTION
1	MGEVO180	1	ALOR-FENDER-RH
2	MGHDW602	4	BHSCS-3/8-16x1.00-BHSCS-SS18-8
3	MGHDW215	3	5/16 FW, GR5 ZP
4	MGHDW318	4	NUT, 3/8-16, CAGE NUT, Z
5	MGHDW605	3	SCS, 1/4-20 x 3/4, BHSCS, S/S 18-8
6	MGHDW602-1	6	SCS, 3/8-16 x 0.75, BHSCS, S/S 18-8
7	MGHDW202-1	2	WASHER, 3/8 SAE, FLAT, Z
8	MGHDW305-1	2	NUT, 3/8-16, NYLOCK, Z
9	MGHDW706	3	CARRIAGE BOLT, 5/16-18 x 3/4, FT , Z
10	MGHDW304-1	3	NUT, 5/16-18, NYLOCK, Z
11	MGEVO173	1	ALOR-INNER CONTROL PLATE-RH

MEAN GREEN PRODUCTS

4404 Hamilton Cleves Rd, Hamilton, OH 45013

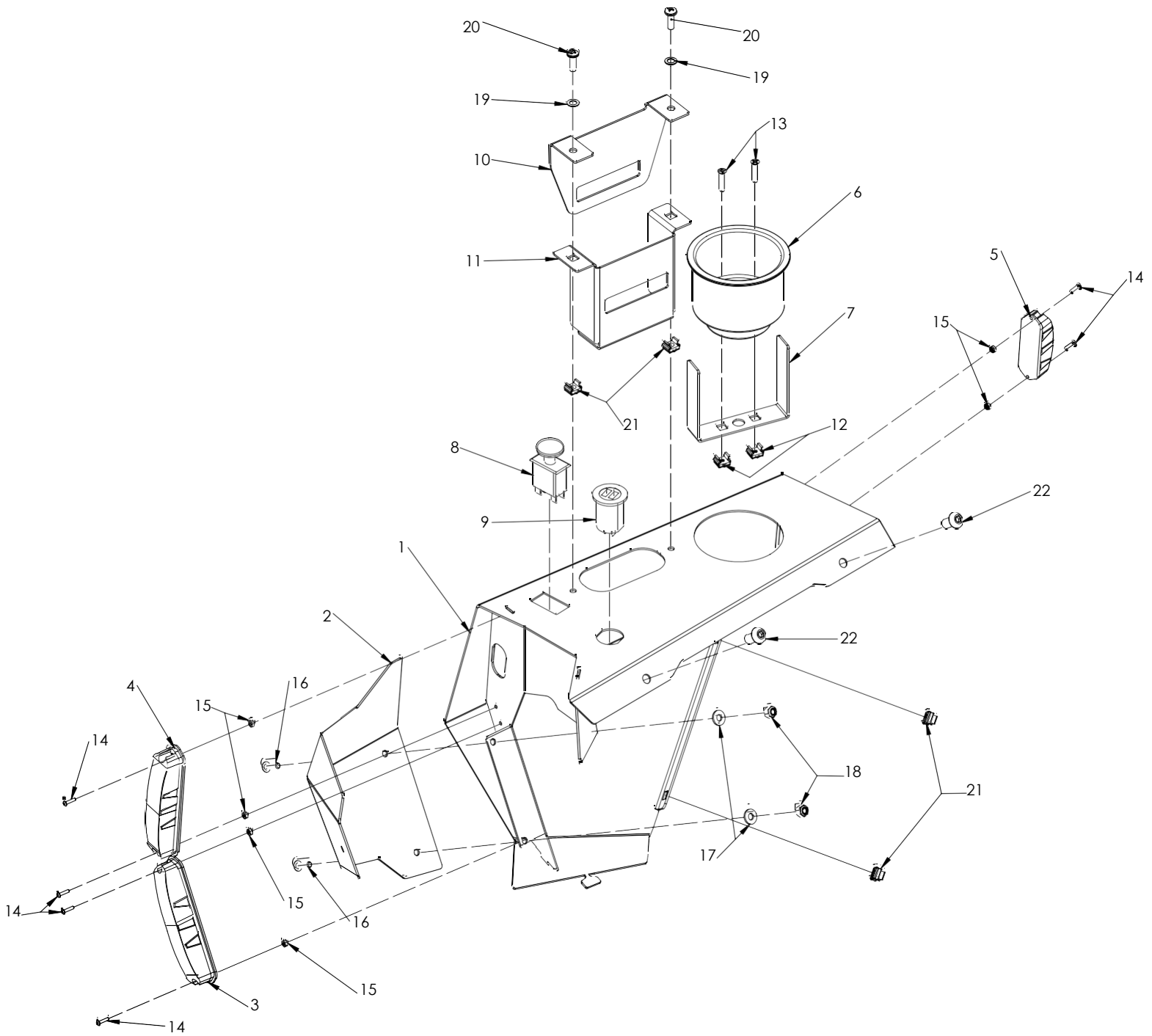
RH CTRLS



RH CTRLS

ITEM	PART#	QTY	DESCRIPTION
1	AMGEVO06	1	WDMT-HANDLEBAR-EVO
2	A0002941120	1	ST47 CTRL-RIGHT LEVER WELDMENT
3	A0002941119	1	ST47 BRACKET-RT CTRL MOUNT WELDMENT
4	A0003458310	1	ST47 PLATE-CONTROLS ARM MOUNT
5	MGELC069	1	RTN-RIGHT HAND SIDE(2019)
6	MGMUP017	1	BRACKET-CONTROLS ROTATION LIMITER
7	MGUPN046	2	PLATE-CONTROL SPRING RETURN
8	MGHDW200	6	WASHER, 1/4 SAE FLAT, YZ
9	MGHDW103	4	HCS, 1/4-20x1-1/4, PT, YZ
10	MGHDW303	4	NUT, 1/4-20, NYLOCK, YZ
11	MGHDW202	4	WASHER, 3/8 SAE, FLAT, YZ
12	MGHDW305	1	NUT-3/8-16-NYLOCK, YZ
13	MGHDW203	2	WASHER, 3/8 ID x 1 OD x 1/16 THK, NYLON
14	MGHDW126	1	HCS, 3/8-16 x 2-1/4, PT, YZ
15	MGHDW223	2	WASHER, 5/16 IDx 0.5 ODx 0.095 THK,NYLON
16	MGHDW302	1	NUT, 5/16-18, HALF NYLOCK, YZ
17	MGHDW163	2	HCS, 5/16-18 x 2, TAP, YZ
18	MGHDW304	8	NUT, 5/16-18, NYLOCK, YZ
19	MGHDW201	15	WASHER, 5/16 SAE, FLAT, YZ
20	MGHDW111	3	HCS, 5/16-18 x 1-1/4, FT, YZ
21	MGHDW110	3	HCS, 5/16-18 x 1, FT, YZ
22	MGHDW204	2	WASHER, 3/8 MED SPLIT, LOCK, YZ
23	MGHDW120	2	HCS, 3/8-16 x 1, FT, YZ
24	MGHDW112	1	HCS, 5/16-18 x 1-1/2, PT, YZ
25	MGHDW116	1	HCS, 5/16-18 x 2-1/2, PT, YZ
26	MGHDW400	1	SPACERS, 5/16 ID x 5/8 OD x 5/16 W, SHAFT COLLAR
27	MGHDW413	1	SPACERS, 5/16 ID x 5/8 OD x 1L, Z
28	MGHDW409	2	SPACERS, 5/16 ID x 1/2 L, BLK, PLASTIC
29	MGHDW308	1	NUT, #10, NYLOCK, 2, Z
30	MGHDW500	1	MS, #10-32 x 1/2, PPH, Z
31	MGHDW300	1	NUT, 5/16-18, SERR FLANGE, YZ
32	MGUPN047	1	SPRING-2.0LG .63OD .08WIRE
33	MGUPN048	1	CONTROLS DAMPENER 9.5 X 24 SROID
34	MGUPN049	1	ZIP TIE
35	MGHDW169	1	HCS, 5/16-24 x 1-1/4, FT, YZ
36	MGHDW201-2	1	WASHER, 5/16 ASME, TYPE B, Z
37	MGEVO178	1	ALOR-FRONT DIFFUSER STABILIZER-RH
38	MGHDW315	1	NUT, 1/4"-20, CAGE NUT, Z
39	MGUPN147	1	EVO, RVL, CXR, NXR, HAND GRIP

RH CTRL PANEL

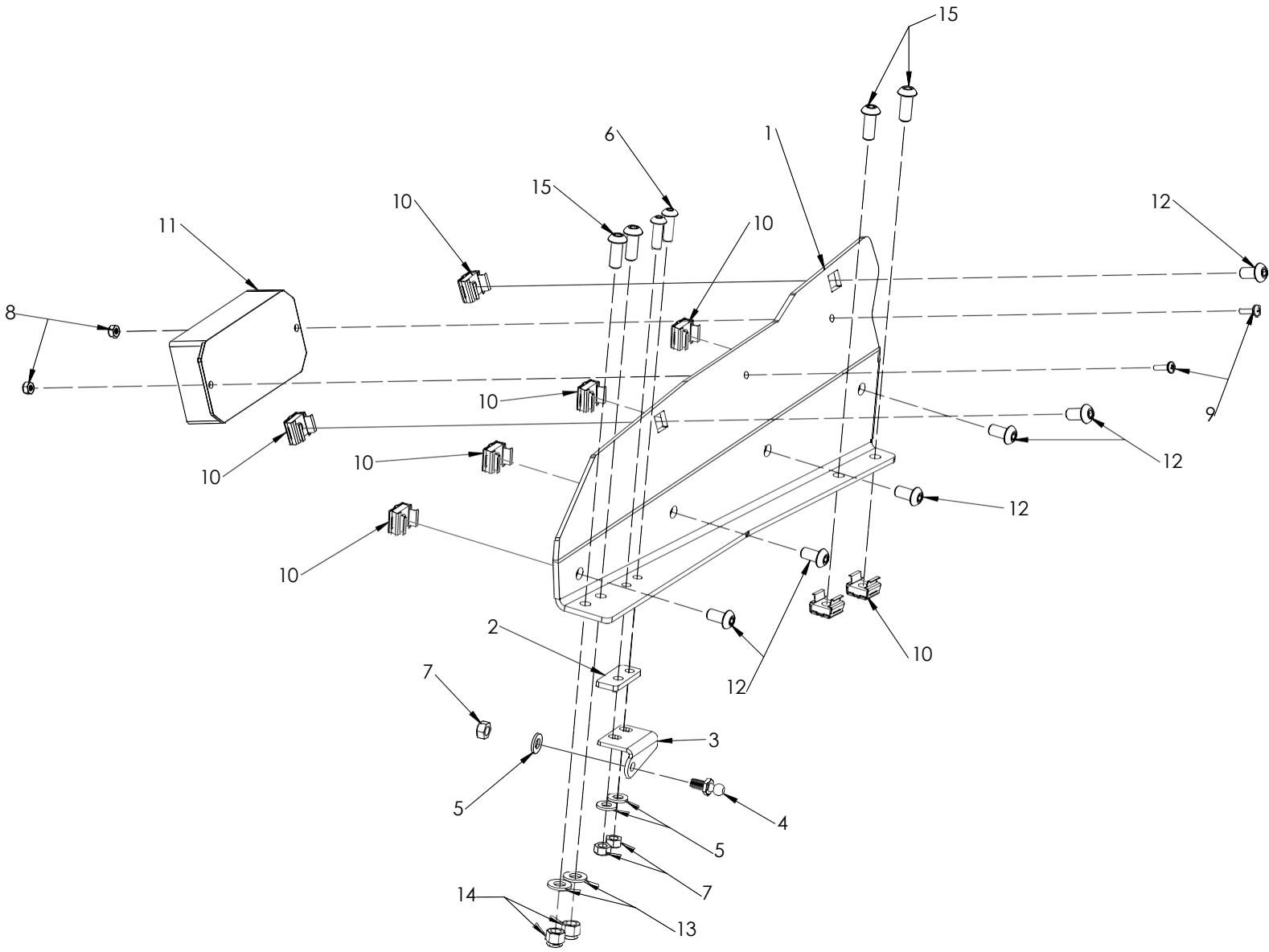


MEAN GREEN PRODUCTS
4404 Hamilton Cleves Rd, Hamilton, OH 45013

RH CTRL PANEL

ITEM	PART#	QTY	DESCRIPTION
1	AMGEVO54	1	ALOR-WDMT-CTRL PANEL-RH
2	MGEVO176	1	ALOR-CONTROL PANEL DIFFUSER-RH
3	MGELC261-1	1	EVO RLK FRONT LOWER LIGHT
4	MGELC261-2	1	EVO RLK FRONT UPPER LIGHT
5	MGELC262-1	1	EVO RLK REAR LIGHT
6	MGUPN043	1	CUP HOLDER
7	MGMUP030	1	BRACKET-CUP HOLDER SUPPORT
8	MGELC009	1	PTO SWITCH
9	MGELC038	1	PLUG-DUAL USB PORTS
10	MGEVO163	1	ALOR-PHONE HOLDER, A
11	MGEVO164	1	ALOR-PHONE HOLDER, B
12	MGHDW312	2	NUT, #10-32, CAGE NUT, Z
13	MGHDW512	2	MS, #10-32 x 1, PFH, 18-8 S/S
14	MGHDW529-4	6	MS, #4-40 X 1/2, PPH, 18/8 S/S
15	MGHDW357-1	6	NUT, #4-40, NYLOCK, 18-8 S/S
16	MGHDW605	2	SCS, 1/4-20 x 3/4, BHSCS, S/S 18-8
17	MGHDW200-1	2	WASHER, 1/4 SAE, FLAT, YZ
18	MGHDW303-1	2	NUT, 1/4-20, NYLOCK, Z
19	MGHDW205	2	WASHER, 1/4 IDx 1/2 ODx 1/16 THK, NYLON
20	MGHDW507	2	MS, 1/4-20 x 3/4, PPH, 18-8 S/S
21	MGHDW315	4	NUT, 1/4"-20, CAGE NUT, Z
22	MGHDW602-1	2	SCS, 3/8-16 x 0.75, BHSCS, S/S 18-8

RH CTRL PANEL MOUNT



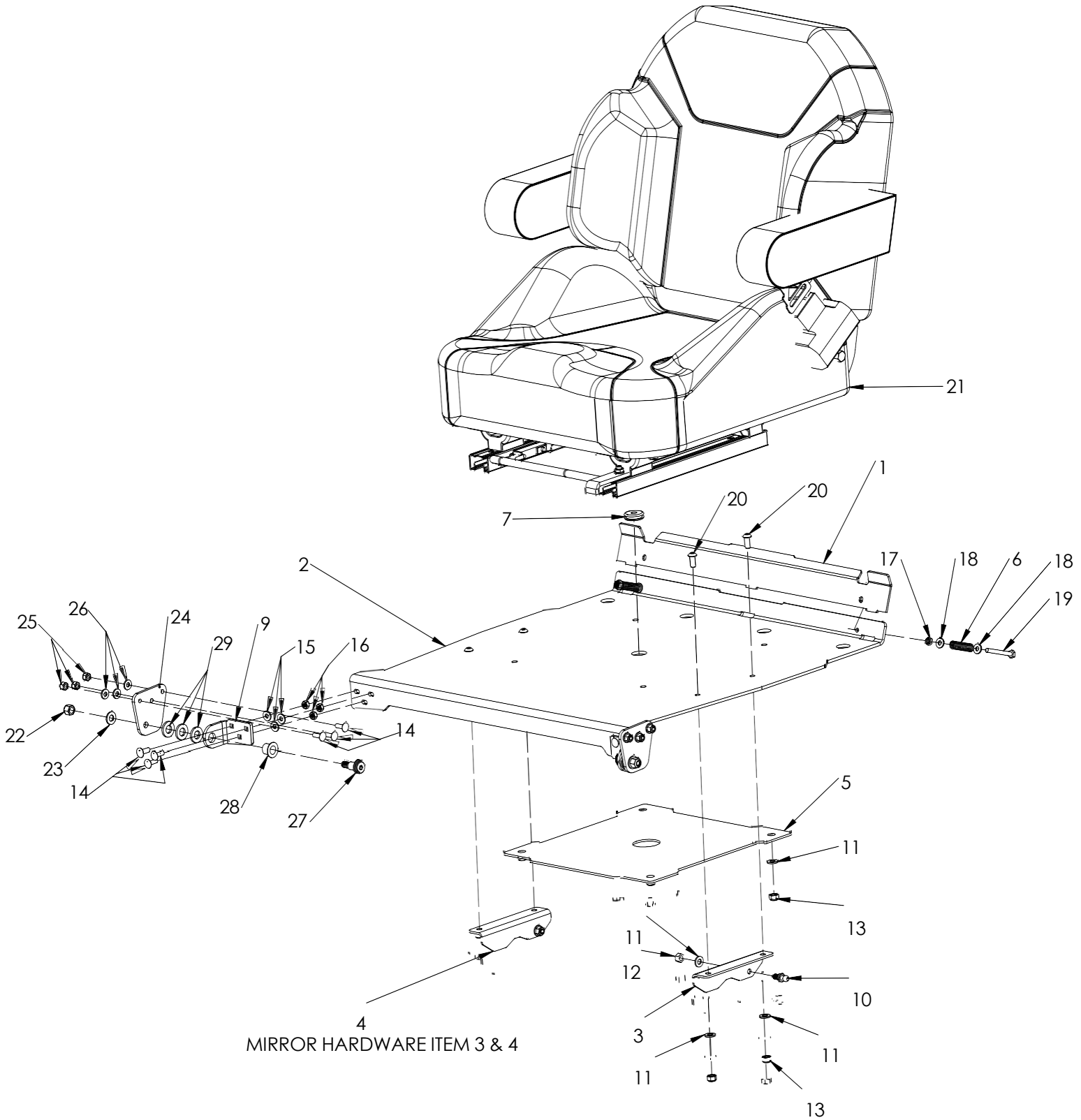
RH CTRL PANEL MOUNT

ITEM	PART#	QTY	DESCRIPTION
1	MGEV0173	1	ALOR-INNER CONTROL PLATE-RH
2	MGEV0079	1	GAS SHOCK BRACKET-LOWER SPACER
3	MGEV0078-RH	1	GAS SHOCK BRACKET-LOWER-RH
4	MGUPN095	1	SCREW-UNIVERSAL JOINT-EZTR
5	MGHDW201-1	3	WASHER, 5/16 SAE, FLAT, Z
6	MGHDW617	2	SCS, 5/16-18 x 1, BHSCS, S/S 18-8
7	MGHDW319	3	NUT, 5/16-18, TOP LOCK, Z
8	MGHDW308	2	NUT, #10, NYLOCK, Z
9	MGHDW506	2	MS, #10-32 x 5/8, PPH, Z
10	MGHDW318	6	NUT, 3/8-16, CAGE NUT, Z
11	MGELC118-4	1	DECK LIFT MODULE, W/ USB PORT
12	MGHDW602-1	2	SCS, 3/8-16 x 0.75, BHSCS, S/S 18-8
13	MGHDW202-1	2	WASHER, 3/8 SAE, FLAT, Z
14	MGHDW305-1	2	NUT, 3/8-16, NYLOCK, Z
15	MGHDW602	4	SCS, 3/8-16 x 1.00, BHSCS-S/S 18-8

MEAN GREEN PRODUCTS

4404 Hamilton Cleves Rd, Hamilton, OH 45013

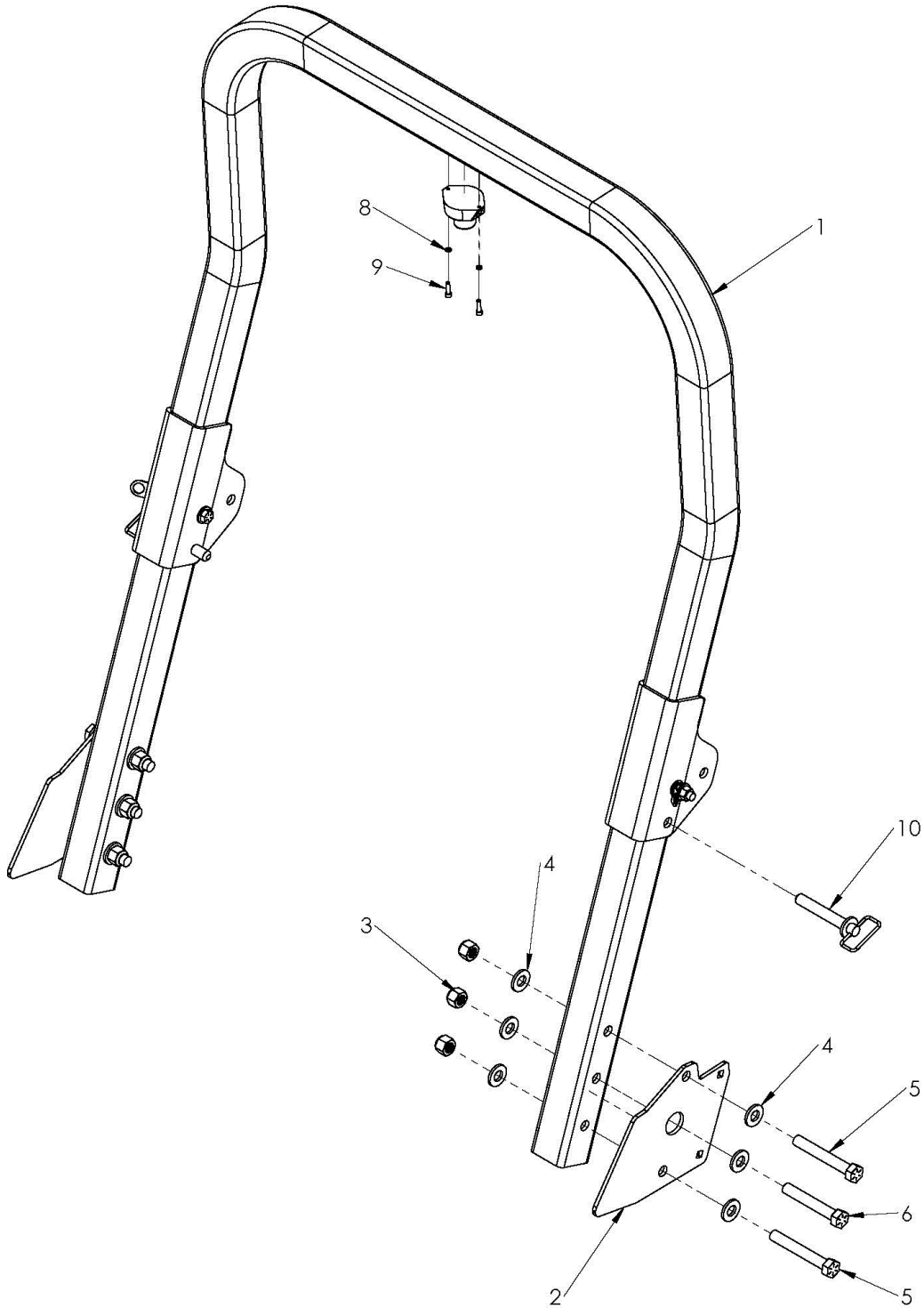
SEAT ASSEMBLY



SEAT ASSEMBLY

ITEM	PART#	QTY	DESCRIPTION
1	MGEVO091	1	SEAT LOCKING PLATE
2	MGEVO025	1	SEAT PAN
3	MGEVO086-LH	1	GAS SHOCK BRACKET-LH
4	MGEVO086-RH	1	GAS SHOCK BRACKET-RH
5	MGEVO106	1	SEAT PAN STIFFENER
6	MGUPN126	2	SPRING FOR SEAT LATCH-1.75X.5
7	MGUPN168-02	1	GROMMET 1" OD x 3/8" ID x 3/16"
8	MGEVO034-LH	1	SEAT HINGE-UPPER-LH
9	MGEVO034-RH	1	SEAT HINGE-UPPER-RH
10	MGUPN095	2	SCREW-UNIVERSAL JOINT-EZTR
11	MGHDW201-2	10	WASHER, 5/16 ASME, TYPE B, Z
12	MGHDW319	2	NUT, 5/16-18, TOP LOCK, Z
13	MGHDW304-1	8	NUT, 5/16-18, NYLOCK, Z
14	MGHDW700	12	CARRIAGE BOLT, 1/4-20 x 3/4, FT, Z
15	MGHDW200-1	6	WASHER, 1/4 SAE, FLAT, Z
16	MGHDW325	6	NUT, 1/4-20, TOP LOCK
17	MGHDW301	2	NUT, 1/4-20, HALF NYLOCK, YZ
18	MGHDW200	4	WASHER, 1/4 SAE FLAT, YZ
19	MGHDW107	2	HCS, 1/4-20 x 2-1/4, PT, YZ
20	MGHDW616	4	SCS, 5/16-18 x 3/4, BHSCS, S/S 18-8
21	MGUPN323	1	SUSPENSION SEAT HIGHBACK
22	MGHDW305-1	2	NUT, 3/8-16, NYLOCK, Z
23	MGHDW202-1	2	WASHER, 3/8 SAE, FLAT, Z
24	MGEVO054	2	SEAT HINGE-BASE PLATE
25	MGHDW303-1	6	NUT, 1/4-20, NYLOCK, Z
26	MGHDW200-1	6	WASHER, 1/4 SAE, FLAT, Z
27	MGHDW611	2	SCS, 1/2 OD x 5/8 LG x 3/8-16, Z
28	MGHDW407	2	SPACERS, 1/2 ID x 5/8 L, RED, PLASTIC
29	MGHDW244	6	WASHER, 5/8 ID x 1.0 OD x 1/8 THK, NYLON

ROPS ASSEMBLY



MEAN GREEN PRODUCTS
4404 Hamilton Cleves Rd, Hamilton, OH 45013

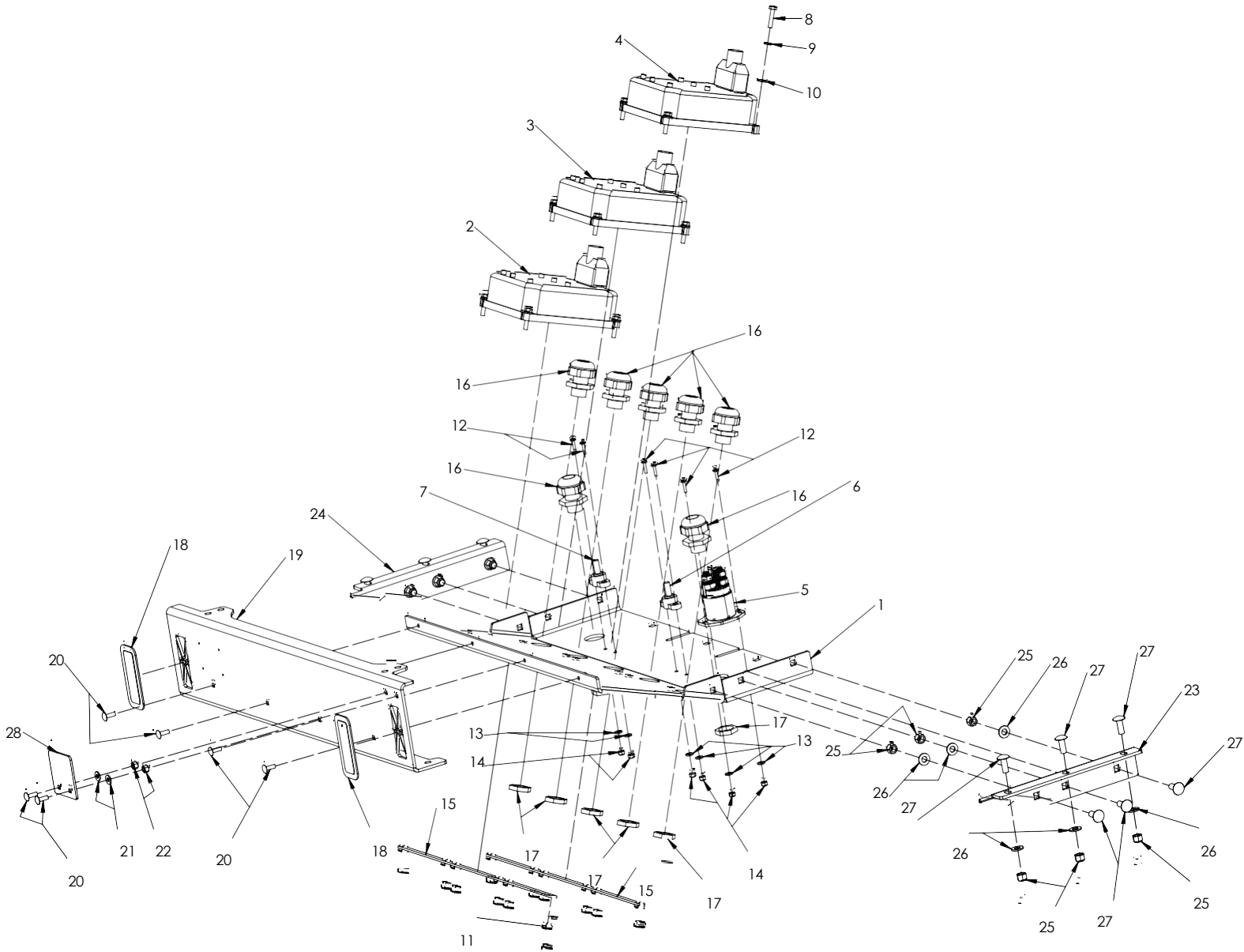
ROPS ASSEMBLY

ITEM	PART#	QTY	DESCRIPTION
1	AMGUPN20	1	ASSY-ROPS-EVO
2	MGEVO168	2	ALOR-CTRL MOUNT PLATE
3	MGHDW320	6	NUT, 1/2-13, NYLOCK, YZ
4	MGHDW210	12	WASHER, 1/2 SAE, FLAT, YZ
5	MGHDW151	4	HCS, 1/2-13 x 3-1/4, PT, YZ
6	MGHDW150	2	HCS, 1/2-13 x 3-1/2, PT, YZ
7	MGHDW131-14	1	CANNON HIDE-A-WAY, AMBER
8	MGHDW245	2	WASHER, #8 SPLIT, S/S 316
9	MGHDW628	2	SCS, #8-32 x 5/8, SHCS, S/S 18-8
10	MGUPN413	2	ROPS PIN

MEAN GREEN PRODUCTS

4404 Hamilton Cleves Rd, Hamilton, OH 45013

LOWER BULKHEAD

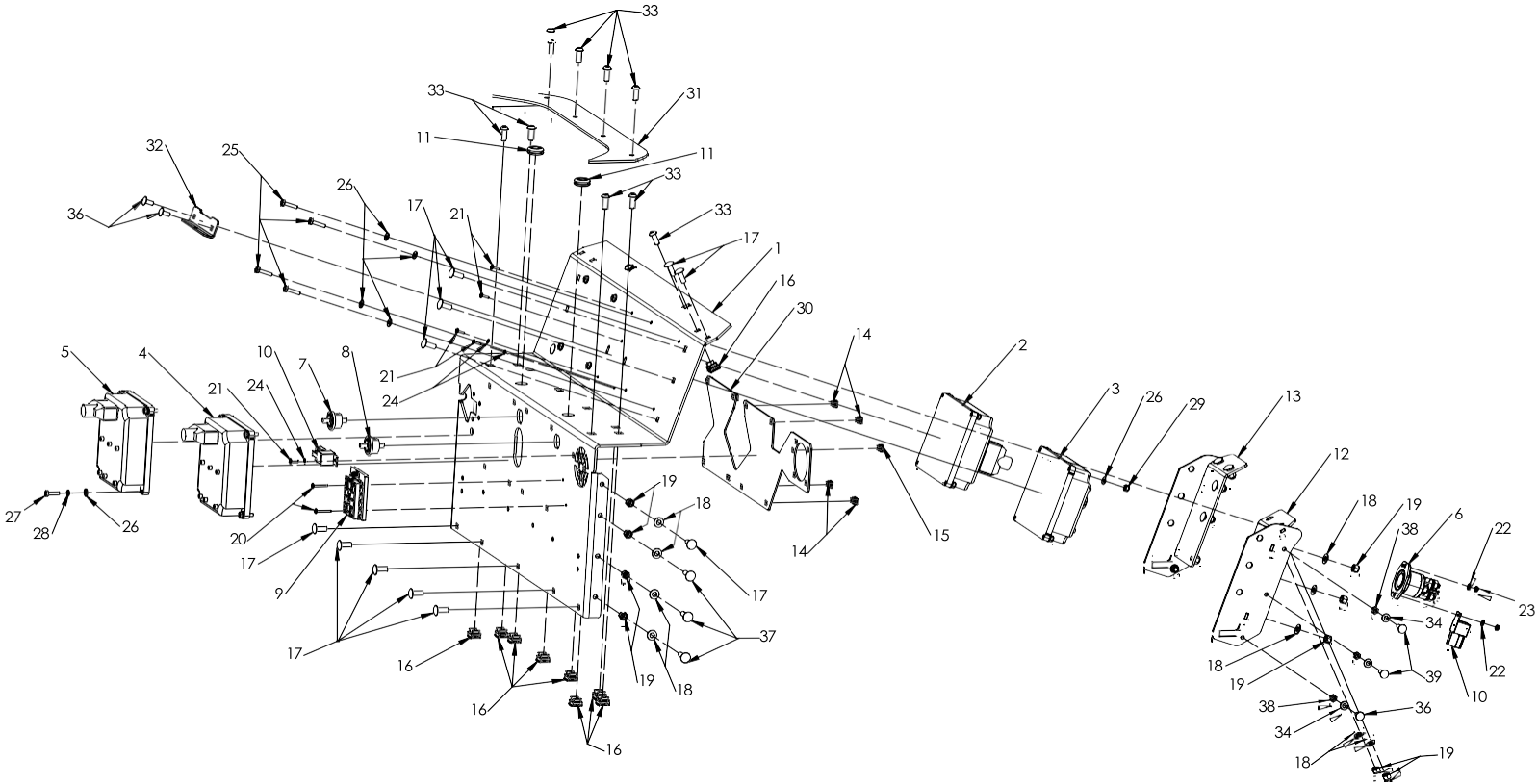


MEAN GREEN PRODUCTS
4404 Hamilton Cleves Rd, Hamilton, OH 45013

LOWER BULKHEAD

ITEM	PART#	QTY	DESCRIPTION
1	MGEVO001	1	FLOOR-REAR ELECTRICAL COMPARTMENT
2	MGELC096-5	1	NODE 5 BLADE CONTROLLER 3
3	MGELC096-6	1	NODE 5 BLADE CONTROLLER 4
4	MGELC096-7	1	NODE 5 BLADE CONTROLLER 5
5	MGELC105	1	CONTACTORS 48V - 200A
6	MGELC011	1	GROUNDING PLUG, BLK
7	MGELC012	1	GROUNDING PLUG, RED
8	MGHDW103	12	HCS, 1/4-20x1-1/4, PT, YZ
9	MGHDW213	12	WASHER, 1/4 MED SPLIT, LOCK, YZ
10	MGHDW200	12	WASHER, 1/4 SAE FLAT, YZ
11	MGHDW315	12	NUT, 1/4"-20, CAGE NUT, Z
12	MGHDW505	6	MS, #10-32 x 3/4, PPH
13	MGHDW207	6	WASHER, #10 SAE, FLAT, Z
14	MGHDW308	6	NUT, #10, NYLOCK, Z
15	MGEVO158	2	SHEET, LOWER BULKHEAD, BACKER
16	MGUPN440	7	CRUSH GROM SKINTOP BLK 1"
17	MGUPN441	7	LOCKNUT NLYON BLK 1"
18	MGUPN384	2	AIR FILTER 4.375" X 2" OD 3.625" X 1.25" ID
19	MGEVO143	1	ALOR-FRONT BULK HEAD
20	MGHDW700	6	CARRIAGE BOLT, 1/4-20 x 3/4, FT, Z
21	MGHDW200-1	6	WASHER, 1/4 SAE FLAT, Z
22	MGHDW303-1	6	NUT, 1/4-20, NYLOCK, Z
23	MGEVO095-LH	1	FLOOR TIE IN PLATE-LH
24	MGEVO095-RH	1	FLOOR TIE IN PLATE-RH
25	MGHDW305-1	12	NUT, 3/8-16, NYLOCK, Z
26	MGHDW202-1	12	WASHER, 3/8 SAE, FLAT, Z
27	MGHDW703	12	CARRIAGE BOLT, 3/8-16 x 1, FT, Z
28	MGEVO103	1	BULK HEAD FILLER-FRONT-EVO

MAIN BULKHEAD



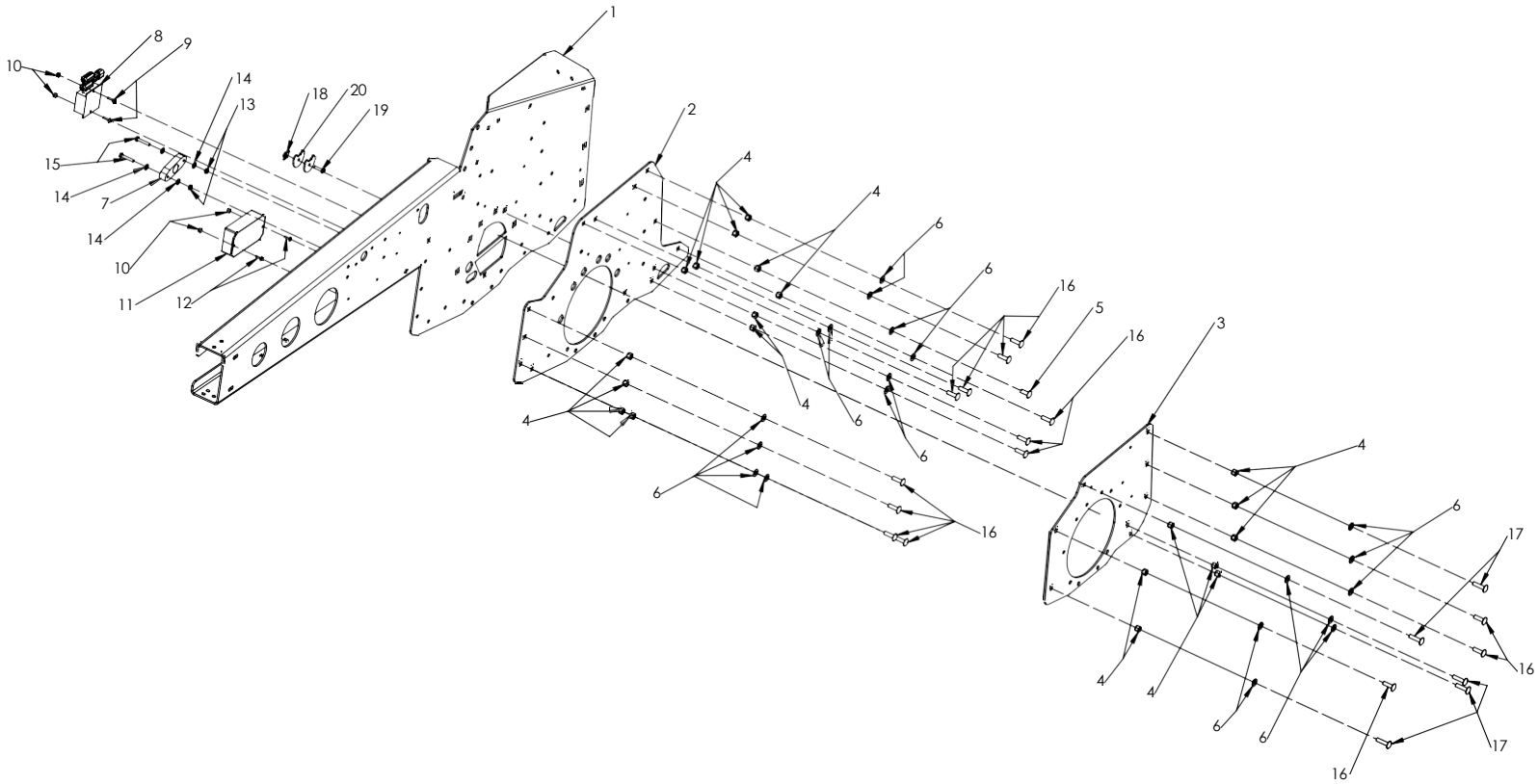
MAIN BULKHEAD

ITEM	PART#	QTY	DESCRIPTION
1	MGEVO156	1	ALOR-REAR BULK HEAD
2	MGELC096-1	1	NODE 1 DRIVE CONTROLLER MASTER
3	MGELC096-2	1	NODE 2 DRIVE CONTROLLER SLAVE
4	MGELC096-3	1	NODE 3 BLADE CONTROLLER 1 MASTER
5	MGELC096-4	1	NODE 4 BLADE CONTROLLER 2
6	MGELC105	1	CONTACTORS 48V - 200A
7	MGELC036	1	BATTERY FEEDER STUD, RED, 6-36 V 150 A
8	MGELC037	1	BATTERY FEEDER STUD, BLK, 6-36V 150 A
9	MGELC225	1	ATC FUSE PANEL (10 POSITION)
10	MGELC113	2	ICE CUBE RELAY 48V
11	MGUPN028	2	GROMMET RUBBER 1" HOLE
12	AMGEVO19	1	WDMT-REAR BULK HEAD LH-EVO
13	AMGEVO18	1	WDMT-REAR BULK HEAD RH-EVO
14	MGHDW315	8	NUT, 1/4"-20, CAGE NUT, Z
15	MGHDW312	1	NUT, #10-32, CAGE NUT, Z
16	MGHDW318	10	NUT, 3/8-16, CAGE NUT, Z
17	MGHDW703	16	CARRIAGE BOLT, 3/8-16 x 1, FT, Z
18	MGHDW202-1	26	WASHER, 3/8 SAE, FLAT, Z
19	MGHDW305-1	26	NUT, 3/8-16, NYLOCK, Z
20	MGHDW504	2	MS, #10-32 x 1-1/4, PPH
21	MGHDW506	5	MS, #10-32 x 5/8, PPH, Z
22	MGHDW207	4	WASHER, #10 SAE, FLAT, Z
23	MGHDW311	6	NUT, #10, HALF NYLOCK, Z
24	MGHDW208	3	WASHER, #10 MED SPLIT, LOCK, Z
25	MGHDW103	8	HCS, 1/4-20x1-1/4, PT, YZ
26	MGHDW200	24	WASHER, 1/4 SAE FLAT, YZ
27	MGHDW102	8	HCS, 1/4-20 x 1, FT, YZ
28	MGHDW213	8	WASHER, 1/4 MED SPLIT, LOCK, YZ
29	MGHDW303	8	NUT, 1/4-20, NYLOCK, YZ
30	MGEVO157	1	SHEET, MAIN BULKHEAD BACKER
31	MGEVO055	1	TRIM LOCK PLATE
32	MGEVO026	1	SEAT LOCKING PLATE CATCH
33	MGHDW602	10	SCS, 3/8-16 x 1.00, BHSCS-S/S 18-8
34	MGHDW201-1	8	WASHER, 5/16 SAE, FLAT, Z
35	MGHDW304-1	2	NUT, 5/16-18, NYLOCK, Z
36	MGHDW706	4	CARRIAGE BOLT, 5/16-18 x 3/4, FT, Z
37	MGHDW705	6	CARRIAGE BOLT, 3/8-16 x 1-1/4, FT, Z
38	MGHDW319	6	NUT, 5/16-18, TOP LOCK, Z
39	MGHDW707	4	CARRIAGE BOLT, 5/16-18 x 1, FT, Z
40	MGEVO072	2	REAR BULK HEAD WELD PLATE
41	MGUPN366	1	BRACKET DECK HEIGHT ACTUATOR
42	MGHDW120	4	HCS, 3/8-16 x 1, FT, YZ
43	MGHDW204	4	WASHER, 3/8 MED SPLIT, LOCK, YZ
44	MGHDW202	4	WASHER, 3/8 SAE, FLAT, YZ

MEAN GREEN PRODUCTS

4404 Hamilton Cleves Rd, Hamilton, OH 45013

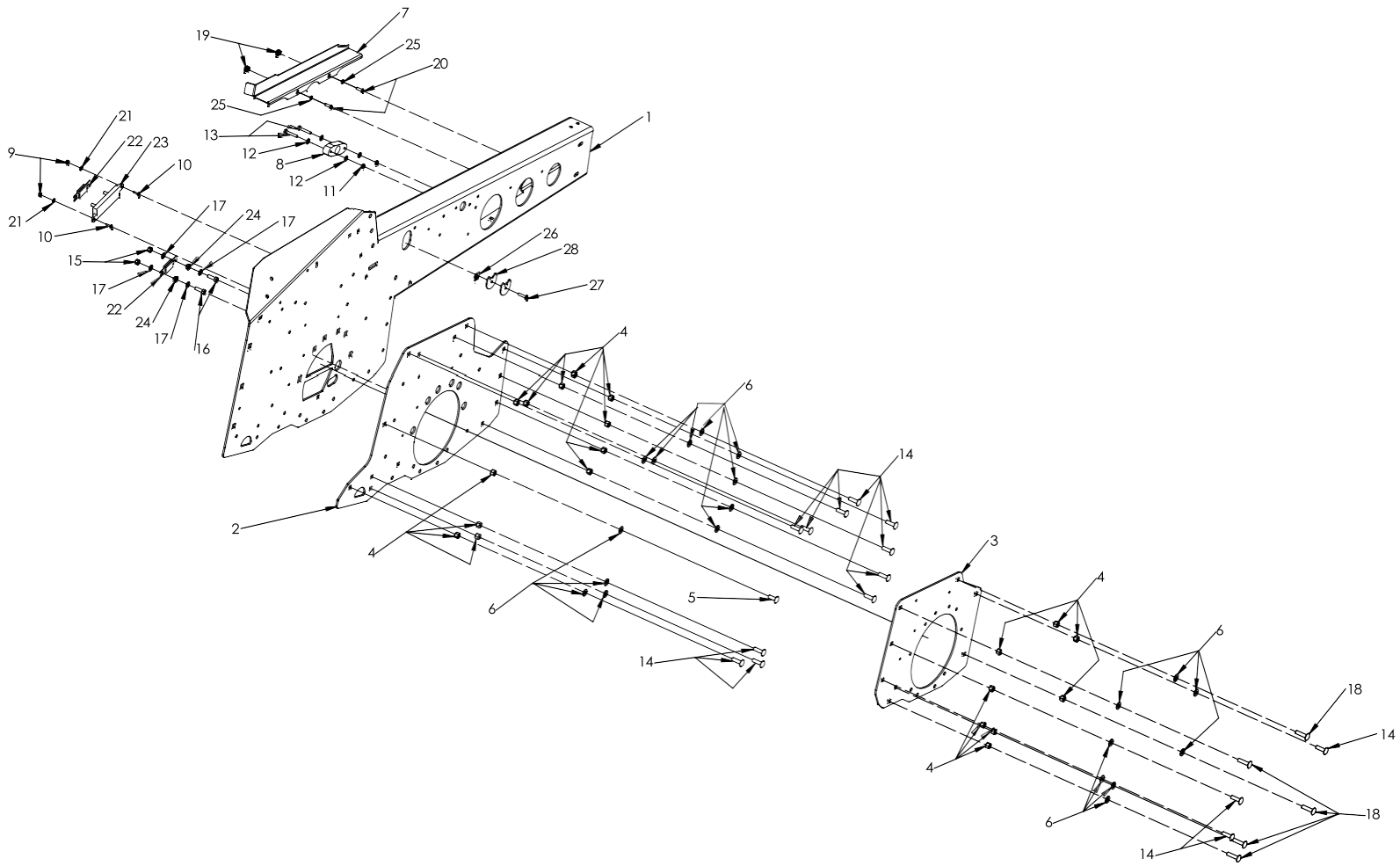
LH FRAME



LH FRAME

ITEM	PART#	QTY	DESCRIPTION
1	MGEVO130	1	ALOR-LEFT HAND FRAME RAIL
2	MGEVO140	1	ALOR-MIDDLE DOUBLER PLATE
3	MGEVO141	1	ALOR-OUTTER DOUBLER PLATE
4	MGHDW305-1	20	NUT, 3/8-16, NYLOCK, Z
5	MGHDW703	1	CARRIAGE BOLT, 3/8-16 x 1, FT, Z
6	MGHDW202-1	20	WASHER, 3/8 SAE, FLAT, Z
7	MGUPN264	1	PLATE-CONTROLS ROTATIONAL MOUNT
8	MGELC047-ASSY	1	12V CONVERTER W/ DEUTSCH ASSY
9	MGHDW505	2	MS, #10-32 x 3/4, PPH, Z
10	MGHDW308	4	NUT, #10, NYLOCK, Z
11	MGELC118-4	1	DECK LIFT MODULE, W/ USB PORT
12	MGHDW506	2	MS, #10-32 x 5/8, PPH, Z
13	MGHDW301	2	NUT, 1/4-20, HALF NYLOCK, YZ
14	MGHDW200	4	WASHER, 1/4 SAE FLAT, YZ
15	MGHDW104	2	HCS, 1/4-20x1-1/2, PT, YZ
16	MGHDW705	14	CARRIAGE BOLT, 3/8-16 x 1-1/4, FT, Z
17	MGHDW704	5	CARRIAGE BOLT, 3/8-16 x 1-1/2, FT, Z
18	MGHDW307-2	1	NUT, 1/4-20 x 1/8 MAT THK, BP
19	MGHDW507-1	1	MS, 1/4-20 x 1, PPH, 18-8 S/S
20	MGMUP035	2	HOLE PLUG-LARGE
1	MGEVO130	1	ALOR-LEFT HAND FRAME RAIL

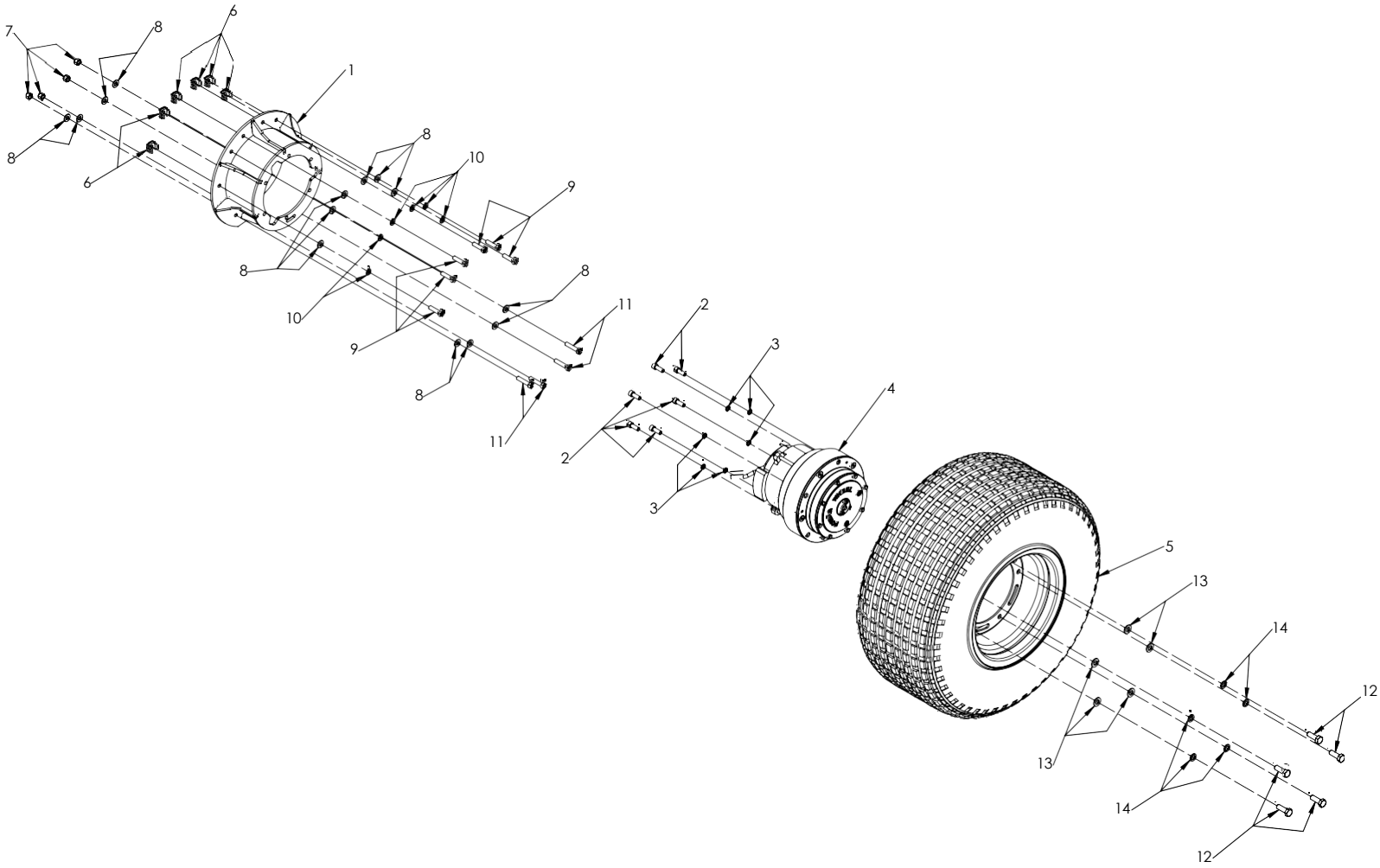
RH FRAME



RH FRAME

ITEM	PART#	QTY	DESCRIPTION
1	MGEVO131	1	ALOR-RIGHT HAND FRAME RAIL
2	MGEVO140	1	ALOR-MIDDLE DOUBLER PLATE
3	MGEVO141	1	ALOR-OUTTER DOUBLER PLATE
4	MGHDW305-1	20	NUT, 3/8-16, NYLOCK, Z
5	MGHDW703	1	CARRIAGE BOLT, 3/8-16 x 1, FT, Z
6	MGHDW202-1	20	WASHER, 3/8 SAE, FLAT, Z
7	MGEVO145	1	ALOR-WIRE TRACK
8	MGUPN264	1	PLATE-CONTROLS ROTATIONAL MOUNT
9	MGHDW308	2	NUT, #10, NYLOCK, Z
10	MGHDW506	2	MS, #10-32 x 5/8, PPH, Z
11	MGHDW301	2	NUT, 1/4-20, HALF NYLOCK, YZ
12	MGHDW200	4	WASHER, 1/4 SAE FLAT, YZ
13	MGHDW104	2	HCS, 1/4-20x1-1/2, PT, YZ
14	MGHDW705	14	CARRIAGE BOLT, 3/8-16 x 1-1/4, FT, Z
15	MGHDW304	2	NUT, 5/16-18, NYLOCK, YZ
16	MGHDW110	2	HCS, 5/16-18 x 1, FT, YZ
17	MGHDW201	4	WASHER, 5/16 SAE, FLAT, YZ
18	MGHDW704	5	CARRIAGE BOLT, 3/8-16 x 1-1/2, FT, Z
19	MGHDW315	2	NUT, 1/4"-20, CAGE NUT, Z
20	MGHDW605	2	SCS, 1/4-20 x 3/4, BHSCS, S/S 18-8
21	MGHDW207	2	WASHER, #10 SAE, FLAT, Z
22	MGELC055	2	MAIN FUSE, 400A
23	MGELC003	1	MAIN FUSE BLOCK, 400A
24	MGHDW300	2	NUT, 5/16-18, SERR FLANGE, YZ
25	MGHDW213	2	WASHER, 1/4 MED SPLIT, LOCK, YZ
26	MGHDW307-2	1	NUT, 1/4-20 x 1/8 MAT THK, BP
27	MGHDW507-1	1	MS, 1/4-20 x 1, PPH, 18-8 S/S
28	MGMUP035	2	HOLE PLUG-LARGE

LH DRIVE ASSEMBLY



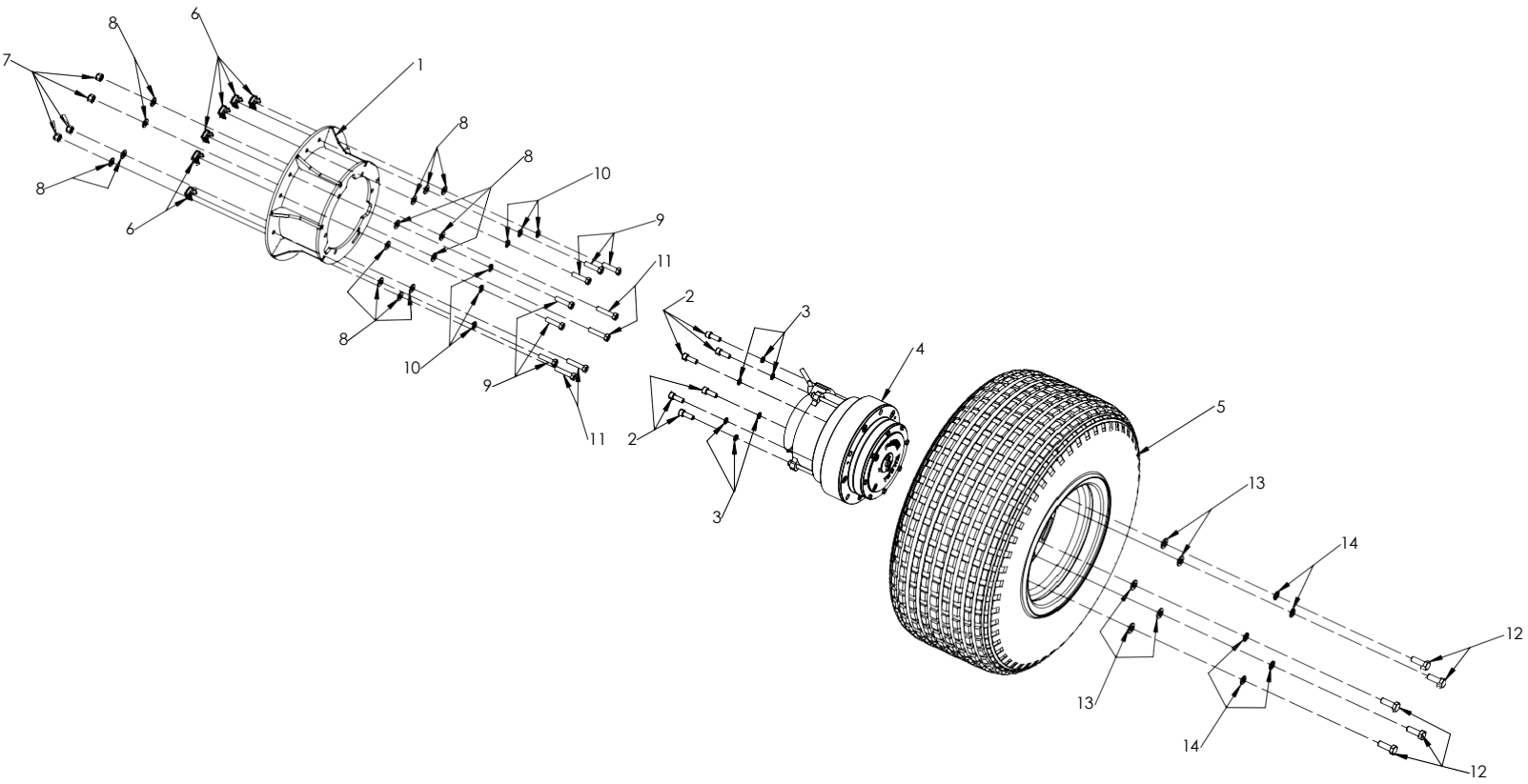
LH DRIVE ASSEMBLY

ITEM	PART#	QTY	DESCRIPTION
1	AMGRVL07	1	WDMT-IMPULSE DRIVE CAN-LH
2	MGHDW612	6	SCS, 3/8-16 x 1, SHCS, Z
3	MGHDW233	6	WASHER, 3/8 ID x 0.55 OD SPLIT, Z
4	AMGUPN57	1	IMPULSE DRIVE ASSEMBLY
5	MGUPN339	1	REAR WHEELS PHNUMATIC 26X12-12
6	MGHDW318	6	NUT, 3/8-16, CAGE NUT, Z
7	MGHDW305	4	NUTS-3/8-16, NYLOCK, YZ
8	MGHDW202	14	WASHER, 3/8 SAE, FLAT, YZ
9	MGHDW122	6	HCS, 3/8-16 x 1-1/2, FT, YZ
10	MGHDW204	6	WASHER, 3/8 MED SPLIT, LOCK, YZ
11	MGHDW124	4	HCS, 3/8-16 x 1-3/4, PT, YZ
12	MGHDW176	5	HCS, M12-1.5 x 35mm, YZ
13	MGHDW231	5	WASHER, M12 ID x 24MM OD, FLAT, YZ
14	MGHDW232	5	WASHER, M12 DIN127A BN717, SPLIT LOCK, YZ

MEAN GREEN PRODUCTS

4404 Hamilton Cleves Rd, Hamilton, OH 45013

RH DRIVE ASSEMBLY



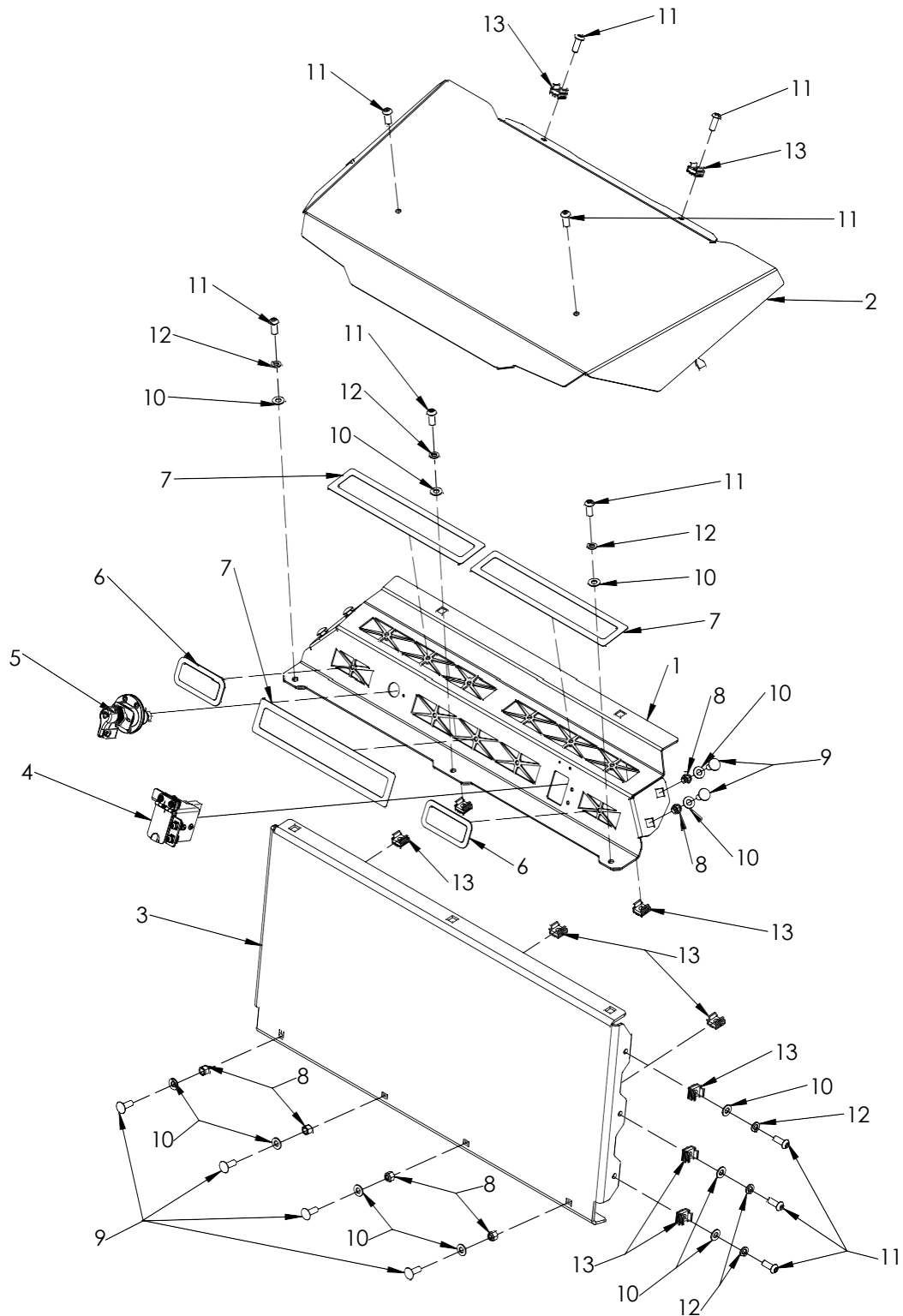
RH DRIVE ASSEMBLY

ITEM	PART#	QTY	DESCRIPTION
1	AMGRVL08	1	WDMT-IMPULSE DRIVE CAN-RH
2	MGHDW612	6	SCS, 3/8-16 x 1, SHCS, Z
3	MGHDW233	6	WASHER, 3/8 ID x 0.55 OD SPLIT, Z
4	AMGUPN57	1	IMPULSE DRIVE ASSEMBLY
5	MGUPN339	1	REAR WHEELS PHNUMATIC 26X12-12
6	MGHDW318	6	NUT, 3/8-16, CAGE NUT, Z
7	MGHDW305	4	NUTS-3/8-16, NYLOCK, YZ
8	MGHDW202	14	WASHER, 3/8 SAE, FLAT, YZ
9	MGHDW122	6	HCS, 3/8-16 x 1-1/2, FT, YZ
10	MGHDW204	6	WASHER, 3/8 MED SPLIT, LOCK, YZ
11	MGHDW124	4	HCS, 3/8-16 x 1-3/4, PT, YZ
12	MGHDW176	5	HCS, M12-1.5 x 35mm, YZ
13	MGHDW231	5	WASHER, M12 ID x 24MM OD, FLAT, YZ
14	MGHDW232	5	WASHER, M12 DIN127A BN717, SPLIT LOCK, YZ

MEAN GREEN PRODUCTS

4404 Hamilton Cleves Rd, Hamilton, OH 45013

BACK END ASSEMBLY



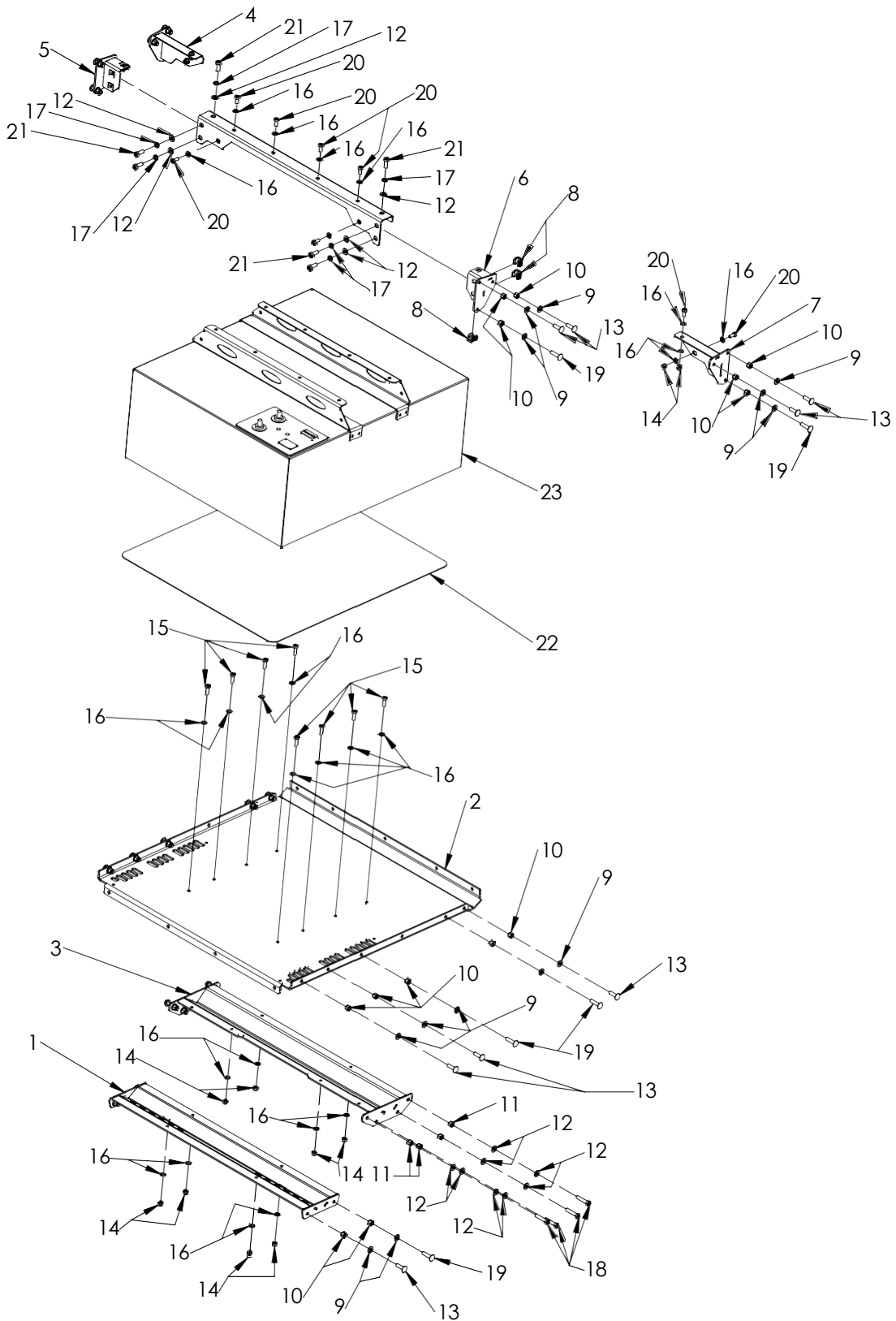
BACK END ASSEMBLY

ITEM	PART#	QTY	DESCRIPTION
1	MGEVO135	1	STOR-REAR INTAKE PLATE
2	MGEVO136	1	ALOR-REAR HOOD
3	MGEVO011	1	EVO BACK PLATE
4	AMGUPN80	1	ASSEMBLY-CHARGE PORT-SB120
5	MGELC115	1	ON/OFF BATT SWITCH
6	MGUPN384	2	AIR FILTER 4.375" X 2" FROGSKINZ
7	MGUPN563	3	AIR FILTER 13 X 2.5 FROGSKINZ
8	MGHDW305-1	8	NUT, 3/8-16, NYLOCK, Z
9	MGHDW703	8	CARRIAGE BOLT, 3/8-16 x 1, FT, Z
10	MGHDW202-1	17	WASHER, 3/8 SAE, FLAT, Z
11	MGHDW602	13	SCS, 3/8-16 x 1.00, BHSCS-S/S 18-8
12	MGHDW204	9	WASHER, 3/8 MED SPLIT, LOCK, YZ
13	MGHDW318	13	NUT, 3/8-16, CAGE NUT, Z

MEAN GREEN PRODUCTS

4404 Hamilton Cleves Rd, Hamilton, OH 45013

BATTERY ASSEMBLY

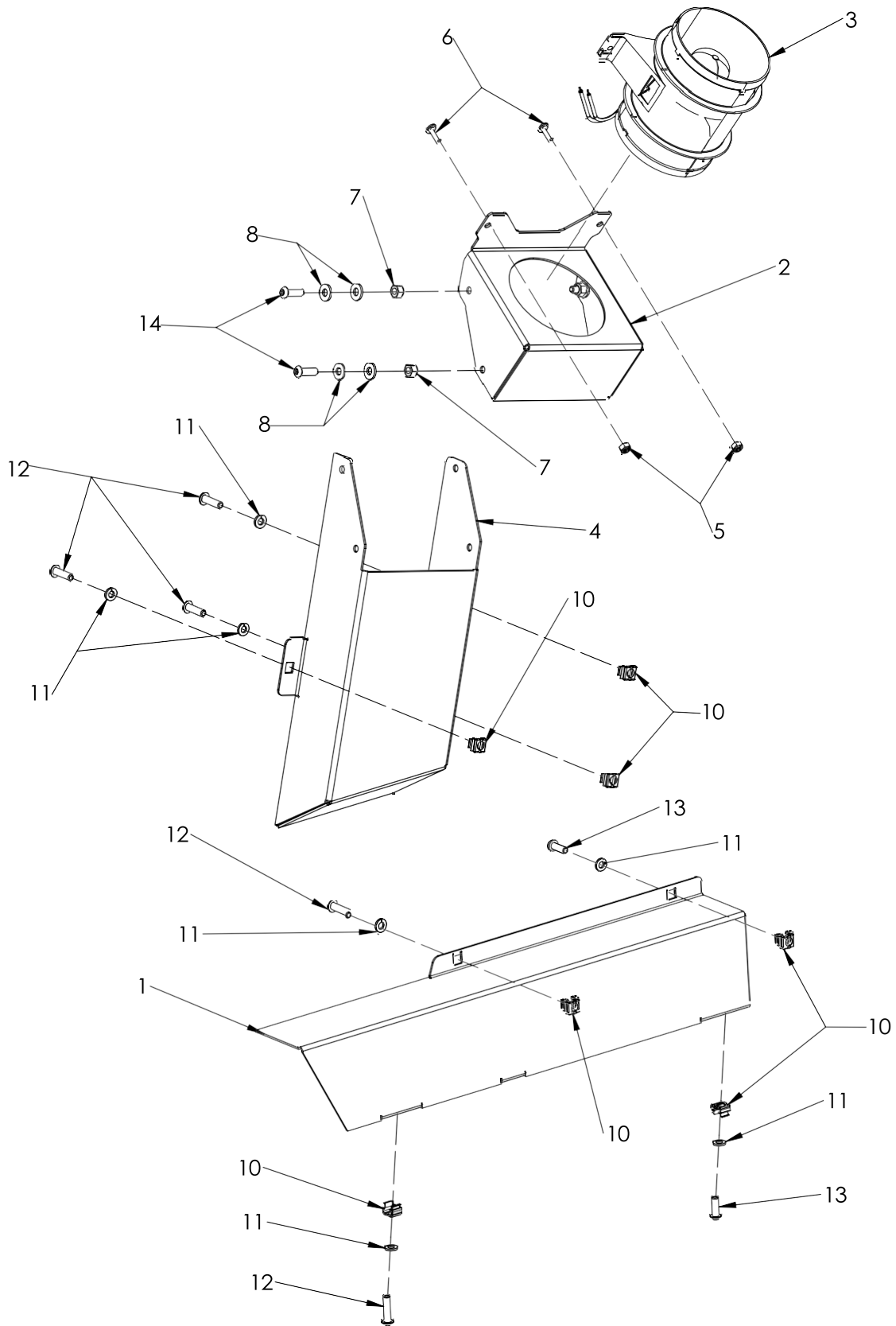


MEAN GREEN PRODUCTS
4404 Hamilton Cleves Rd, Hamilton, OH 45013

BATTERY ASSEMBLY

ITEM	PART#	QTY	DESCRIPTION
1	AMGEVO51	1	STOR-WDMT-REAR BATTERY CROSSMEMBER
2	MGEVO132	1	ALOR-BATTERY FLOOR PAN
3	AMGEVO52	1	STOR-WDMT-BATTERY FRONT CROSSMEMBER
4	AMGEVO55	1	STOR-WDMT-BATT CM FRONT-LH
5	AMGEVO22	1	WDMT-BATTRY CROSS MEMBER SUPPORT BRKT-OPP
6	AMGEVO21	1	WDMT-BATTERY CROSS MEMBER SUPPORT BRKT
7	AMGEVO56	1	STOR-WDMT-BATT CM FRONT-RH
8	MGHDW318	6	NUT, 3/8-16, CAGE NUT, Z
9	MGHDW202-1	26	WASHER, 3/8 SAE, FLAT, Z
10	MGHDW305-1	26	NUT, 3/8-16, NYLOCK, Z
11	MGHDW305	8	NUT, 3/8-16, NYLOCK, YZ
12	MGHDW202-1	22	WASHER, 3/8 SAE, FLAT, Z
13	MGHDW705	16	CARRIAGE BOLT, 3/8-16 x 1-1/4, FT, Z
14	MGHDW304	18	NUT, 5/16-18, NYLOCK, YZ
15	MGHDW110	8	HCS, 5/16-18 x 1, FT, YZ
16	MGHDW201	36	WASHER, 5/16 SAE, FLAT, YZ
17	MGHDW204	6	WASHER, 3/8 MED SPLIT, LOCK, YZ
18	MGHDW124	8	HCS, 3/8-16 x 1-3/4, PT, YZ
19	MGHDW704	10	CARRIAGE BOLT, 3/8-16 x 1-1/2, FT, Z
20	MGHDW109	10	HCS, 5/16-18 x 3/4, FT, YZ
21	MGHDW120	6	HCS, 3/8-16 x 1, FT, YZ
22	MGUPN436	1	RUBBER BATTERY PAD ROUNDED CORNERS 26x30
23	AMGBAT20	1	48V 888AH BATTERY
24	MGEVO096	1	BATTERY CM SUPPORT

LH FAN ASSEMBLY



MEAN GREEN PRODUCTS
4404 Hamilton Cleves Rd, Hamilton, OH 45013

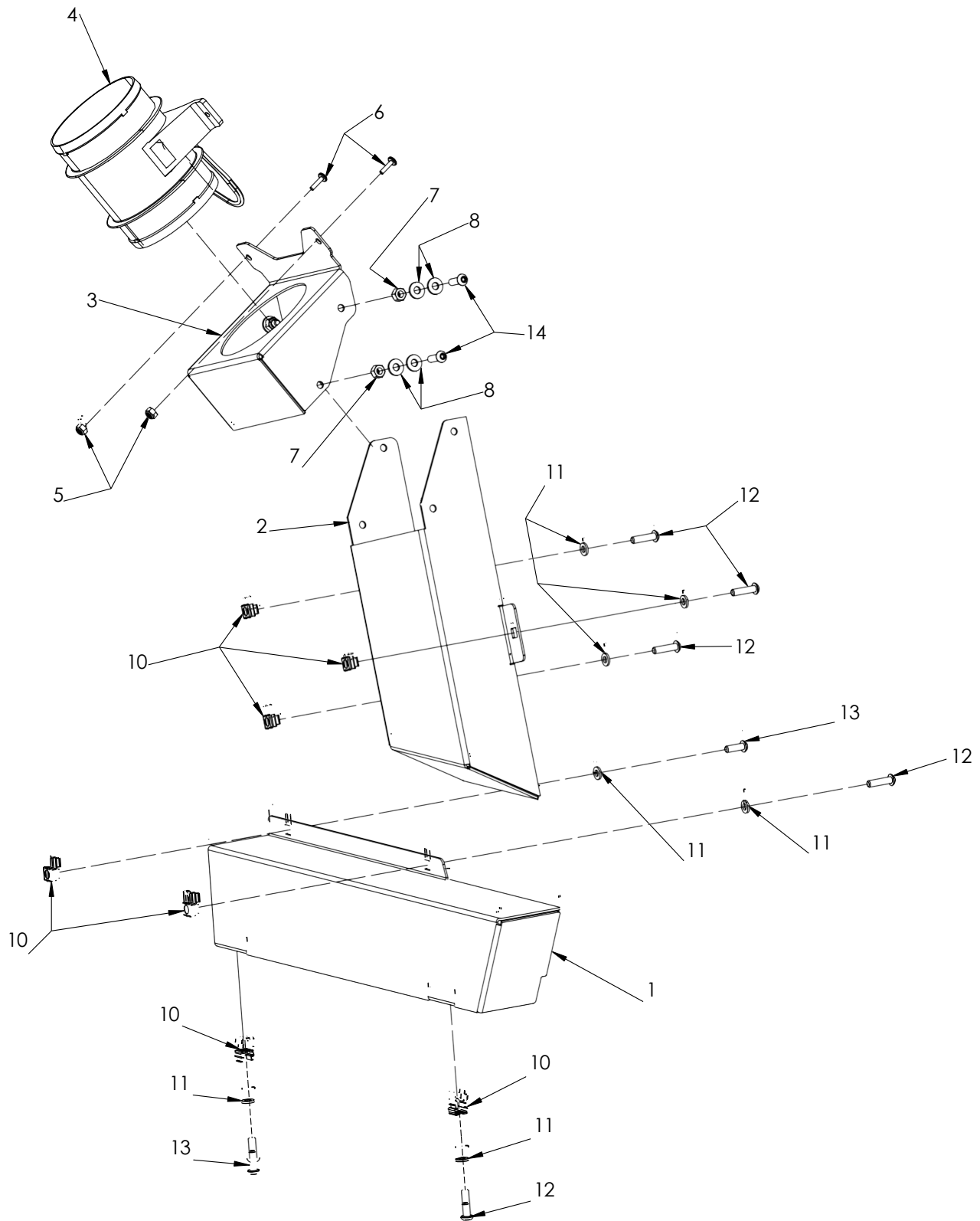
LH FAN ASSEMBLY

ITEM	PART#	QTY	DESCRIPTION
1	MGEVO175	1	ALOR-LOWER FAN DUCT-RH
2	MGEVO137	1	ALOR-UPPER FAN SCOOP
3	MGELC228	1	RULE BLOWER FAN 4IN
4	MGEVO174	1	ALOR-MIDDLE FAN DUCT-RH
5	MGHDW308	2	NUT, #10, NYLOCK, Z
6	MGHDW506	2	MS, #10-32 x 5/8, PPH, Z
7	MGHDW303-1	4	NUT, 1/4-20, NYLOCK, Z
8	MGHDW200-1	8	WASHER, 1/4 SAE, FLAT, Z
10	MGHDW315	7	NUT, 1/4"-20, CAGE NUT, Z
11	MGHDW213-1	7	WASHER, 1/4 MED SPLIT, LOCK, YZ
12	MGHDW605-1	5	SCS, 1/4-20 x 1, BHSCS, S/S 18-8
13	MGHDW605	2	SCS, 1/4-20 x 3/4, BHSCS, S/S 18-8
14	MGHDW610	4	SCS, 1/4-20 x 7/8, BSHCS, S/S 18-8

MEAN GREEN PRODUCTS

4404 Hamilton Cleves Rd, Hamilton, OH 45013

RH FAN ASSEMBLY



MEAN GREEN PRODUCTS
4404 Hamilton Cleves Rd, Hamilton, OH 45013

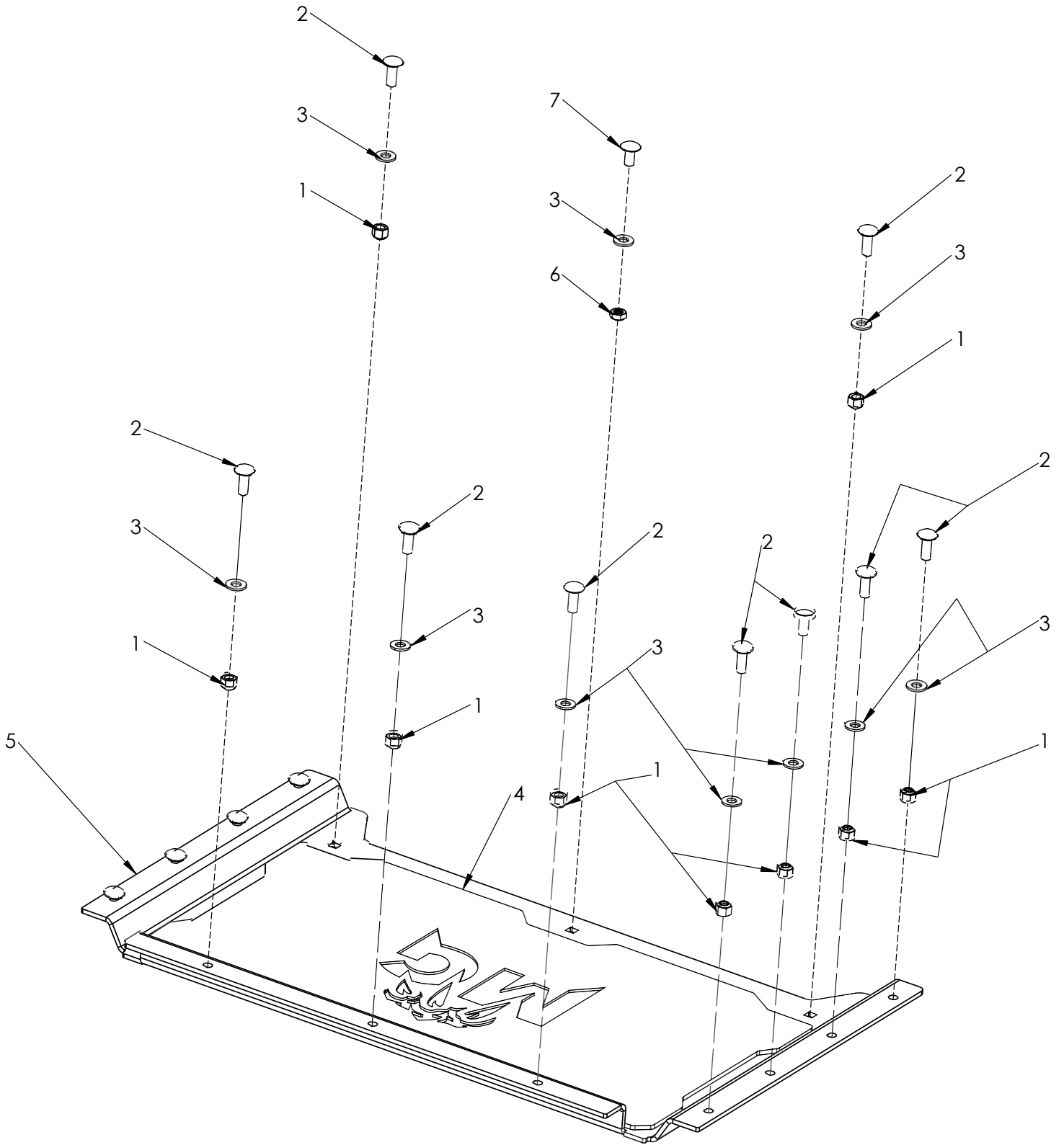
RH FAN ASSEMBLY

ITEM	PART#	QTY	DESCRIPTION
1	MGEVO139	1	ALOR-LOWER FAN DUCT-LH
2	MGEVO138	1	ALOR-MIDDLE FAN DUCT-LH
3	MGEVO137	1	ALOR-UPPER FAN SCOOP
4	MGELC228	1	RULE BLOWER FAN 4IN
5	MGHDW308	2	NUT, #10, NYLOCK, Z
6	MGHDW506	2	MS, #10-32 x 5/8, PPH, Z
7	MGHDW303-1	4	NUT, 1/4-20, NYLOCK, Z
8	MGHDW200-1	8	WASHER, 1/4 SAE, FLAT, Z
10	MGHDW315	7	NUT, 1/4"-20, CAGE NUT, Z
11	MGHDW213-1	7	WASHER, 1/4 MED SPLIT, LOCK, YZ
12	MGHDW605-1	5	SCS, 1/4-20 x 1, BHSCS, S/S 18-8
13	MGHDW605	2	SCS, 1/4-20 x 3/4, BHSCS, S/S 18-8
14	MGHDW610	4	SCS, 1/4-20 x 7/8, BSHCS, S/S 18-8

MEAN GREEN PRODUCTS

4404 Hamilton Cleves Rd, Hamilton, OH 45013

FLOOR ASSEMBLY



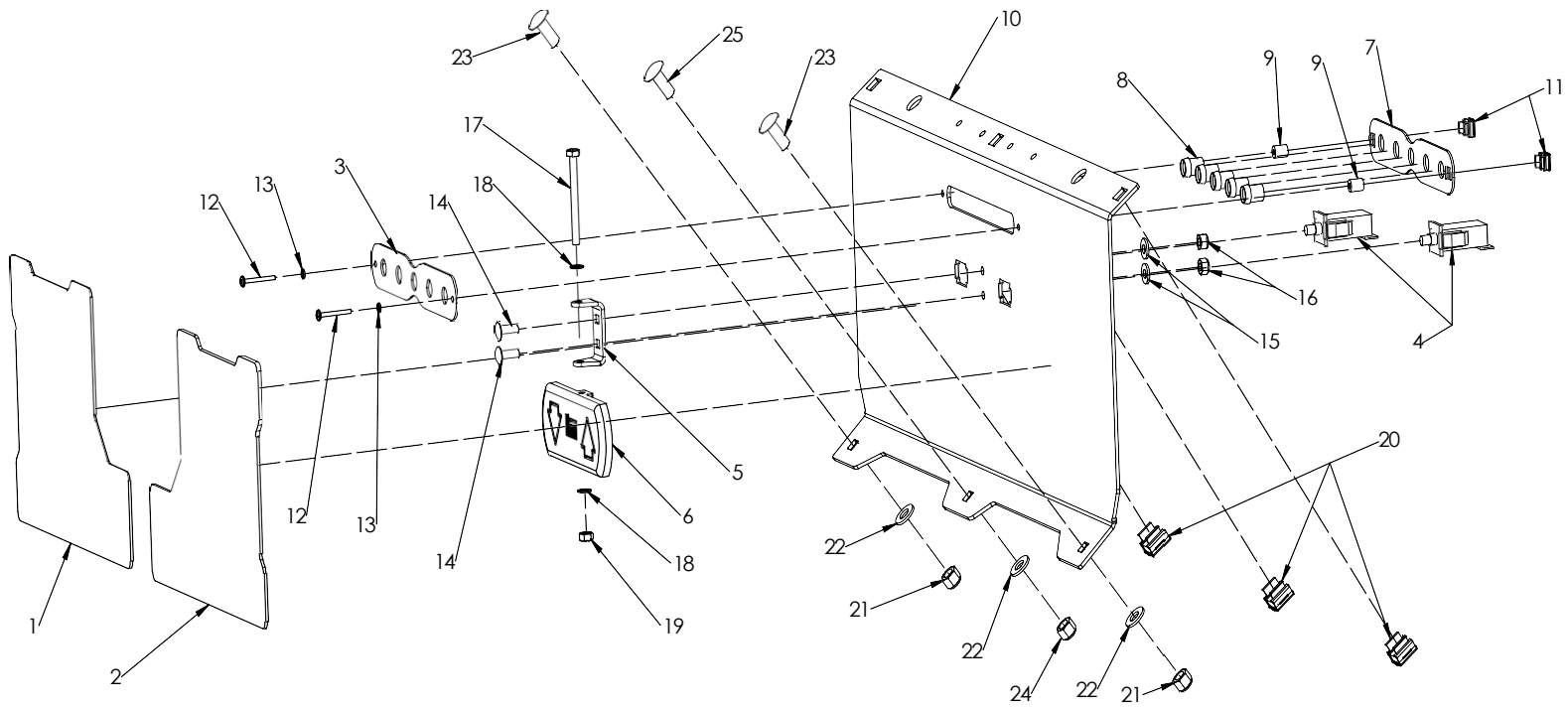
FLOOR ASSEMBLY

ITEM	PART#	QTY	DESCRIPTION
1	MGHDW305-1	13	NUT, 3/8-16, NYLOCK, Z
2	MGHDW703	13	CARRIAGE BOLT, 3/8-16 x 1, FT, Z
3	MGHDW202-1	14	WASHER, 3/8 SAE, FLAT, Z
4	MGUPN293-01	1	MAIN FLOOR GRIP
5	MGEVO002	1	FLOOR-MAIN-EVO
6	MGHDW316-1	1	NUT, 3/8-16, HALF NYLOCK, Z
7	MGHDW702	1	CARRIAGE BOLT, 3/8-16 x 3/4, FT, Z

MEAN GREEN PRODUCTS

4404 Hamilton Cleves Rd, Hamilton, OH 45013

FOOT REST ASSEMBLY



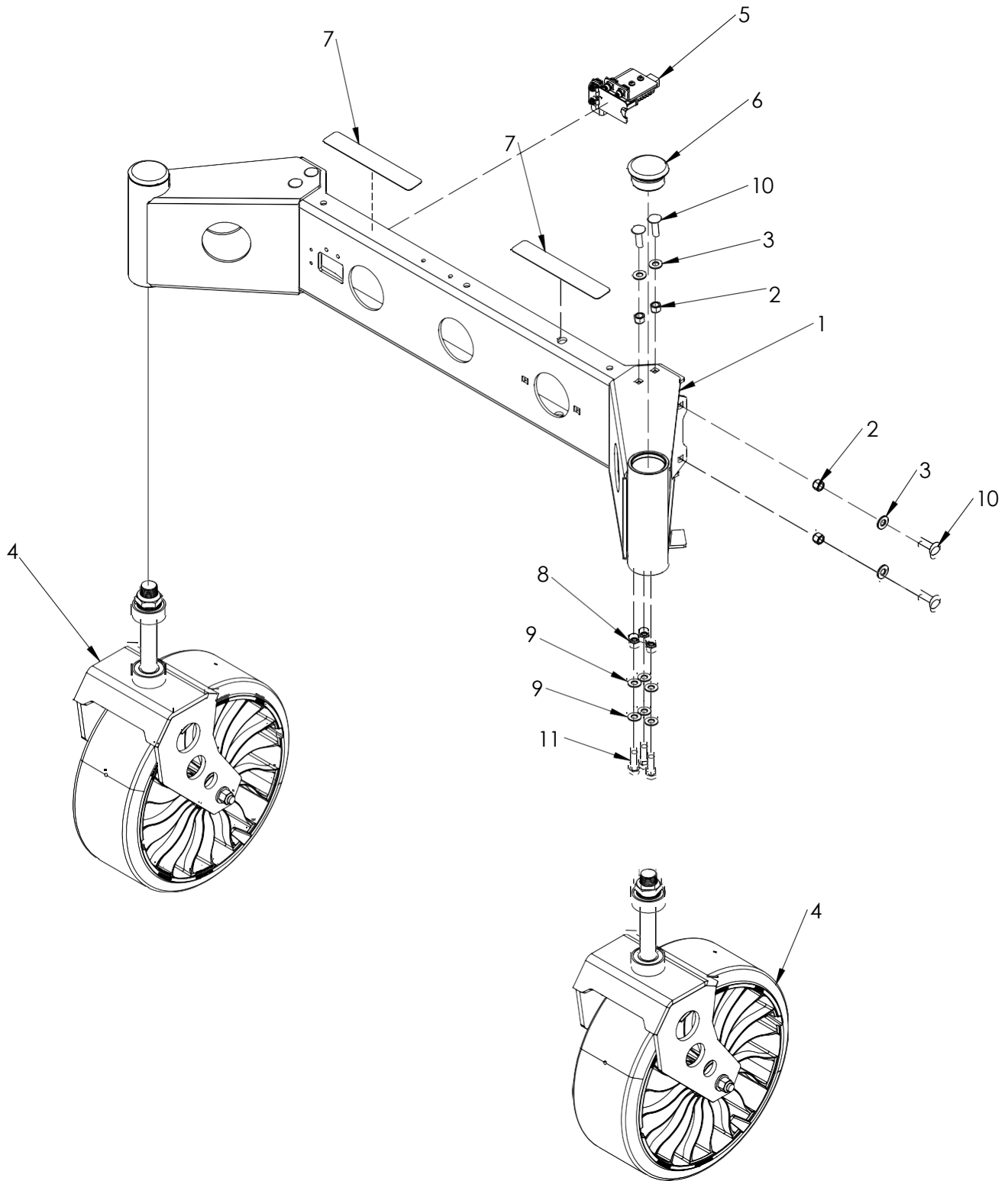
FOOT REST ASSEMBLY

ITEM	PART#	QTY	DESCRIPTION
1	MGUPN359-1	1	FOOT PAD GRIP LH
2	MGUPN359-2	1	FOOT PAD GRIP RH
3	MGEVO067	1	FRONT DECK LIGHT INDICATOR MOUNT
4	MGELC030	2	BLOWER SAFTEY FT PEDAL SWITCH (NO/NO)
5	MGMUP025	1	MOUNT-PEDAL
6	MGUPN089	1	DECK HEIGHT PEDAL
7	MGEVO117	1	REAR DECK LIGHT INDICATOR MOUNT
8	MGELC031	5	LED BLADE LIGHTS
9	MGHDW401	2	SPACERS, #8 ID x 3/8 OD x 1/2 L, NYLON
10	MGEVO050	1	FOOT REST
11	MGHDW309	2	NUT, #8-32, CAGE NUT, Z
12	MGHDW501-1	2	MS, #8-32 x 1-1/4, PPH
13	MGHDW206	2	WASHER, #8 MED SPLIT, LOCK, Z
14	MGHDW700	2	CARRIAGE BOLT, 1/4-20 x 3/4, FT, Z
15	MGHDW200-1	2	WASHER, 1/4 SAE, FLAT, YZ
16	MGHDW303-1	2	NUT, 1/4-20, NYLOCK, Z
17	MGHDW166	1	HCS, 1/4-20 x 2-3/4, PT, YZ
18	MGHDW205	2	WASHER, 1/4 IDx 1/2 ODx 1/16 THK, NYLON
19	MGHDW325	1	NUT, 1/4-20, TOP LOCK
20	MGHDW318	3	NUT, 3/8-16, CAGE NUT, Z
21	MGHDW305-1	2	NUT, 3/8-16, NYLOCK, Z
22	MGHDW202-1	3	WASHER, 3/8 SAE, FLAT, Z
23	MGHDW703	2	CARRIAGE BOLT, 3/8-16 x 1, FT, Z
24	MGHDW316-1	1	NUT, 3/8-16, HALF NYLOCK, Z
25	MGHDW702	1	CARRIAGE BOLT, 3/8-16 x 3/4, FT, Z

MEAN GREEN PRODUCTS

4404 Hamilton Cleves Rd, Hamilton, OH 45013

FRONT BEAM ASSEMBLY



MEAN GREEN PRODUCTS
4404 Hamilton Cleves Rd, Hamilton, OH 45013

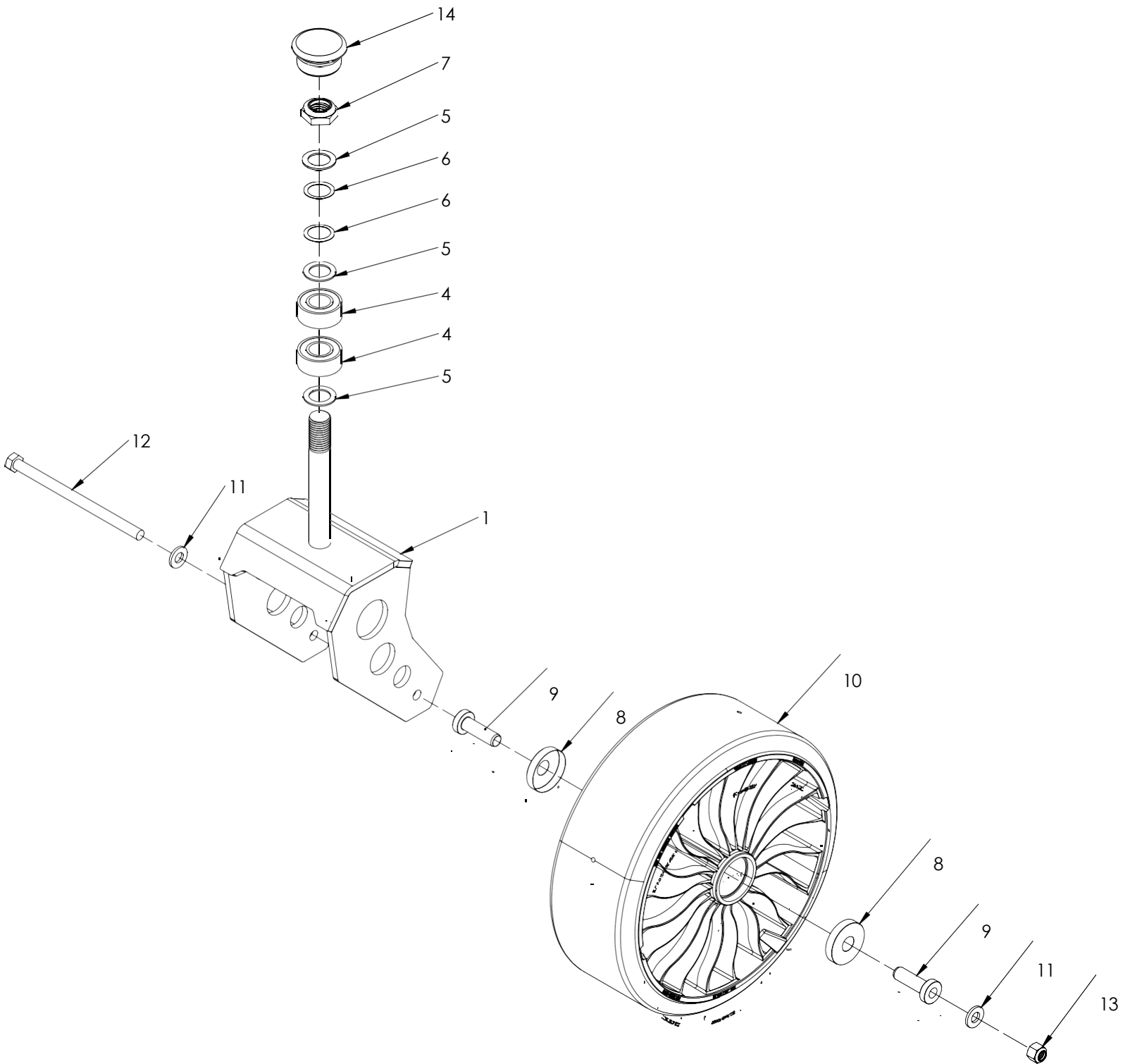
FRONT BEAM ASSEMBLY

ITEM	PART#	QTY	DESCRIPTION
1	AMGEVO17	1	WDMT-FRONT BEAM-EVO
2	MGHDW305-1	8	NUT, 3/8-16, NYLOCK, Z
3	MGHDW202-1	8	WASHER, 3/8 SAE, FLAT, Z
4	AMGYKE20	2	ASSY-FIXED YOKE-TWEEL-EVO
5	AMGUPN80	1	ASSEMBLY-CHARGE PORT-SB120
6	MGUPN090	2	SPINDLE CAPS
7	MGUPN348	2	FLOOR GRIP RECTANGULAR 7.5" X 1.25"
8	MGHDW305	6	NUT, 3/8-16, NYLOCK, YZ
9	MGHDW202	12	WASHER, 3/8 SAE, FLAT, YZ
10	MGHDW705	8	CARRIAGE BOLT, 3/8-16 x 1-1/4, FT, Z
11	MGHDW121	6	HCS 3/8-16 x 1-1/4, FT, YZ

MEAN GREEN PRODUCTS

4404 Hamilton Cleves Rd, Hamilton, OH 45013

YOKE ASSEMBLY



MEAN GREEN PRODUCTS
4404 Hamilton Cleves Rd, Hamilton, OH 45013

YOKE ASSEMBLY

ITEM	PART#	QTY	DESCRIPTION
1	AMGEVO29	1	WDMT-FIXED YOKE-EVO
4	MGUPN386	2	1" SPINDLE BEARING
5	MGHDW228	3	1 ID x 1-1/2 OD 14GA SHIM WASHER Z
6	MGHDW229	2	WASHER, 1 ID x 1-1/2 OD SPRING, Z
7	MGHDW313	1	NUT, 1-8, HALF NYLOCK, Z
8	MGUPN129	2	TWEEL DUST CAP-5/8
9	MGUPN128	2	YOKE SPACER 5/16"
10	MGUPN553	1	15 x 6.5 TWEEL
11	MGHDW210	2	WASHER, 1/2 SAE, FLAT, YZ
12	MGHDW167	1	HCS, 1/2-13 x 8, PT, YZ
13	MGHDW320	1	NUT, 1/2-13, NYLOCK, YZ
14	MGUPN090	1	SPINDLE CAPS

MEAN GREEN PRODUCTS

4404 Hamilton Cleves Rd, Hamilton, OH 45013

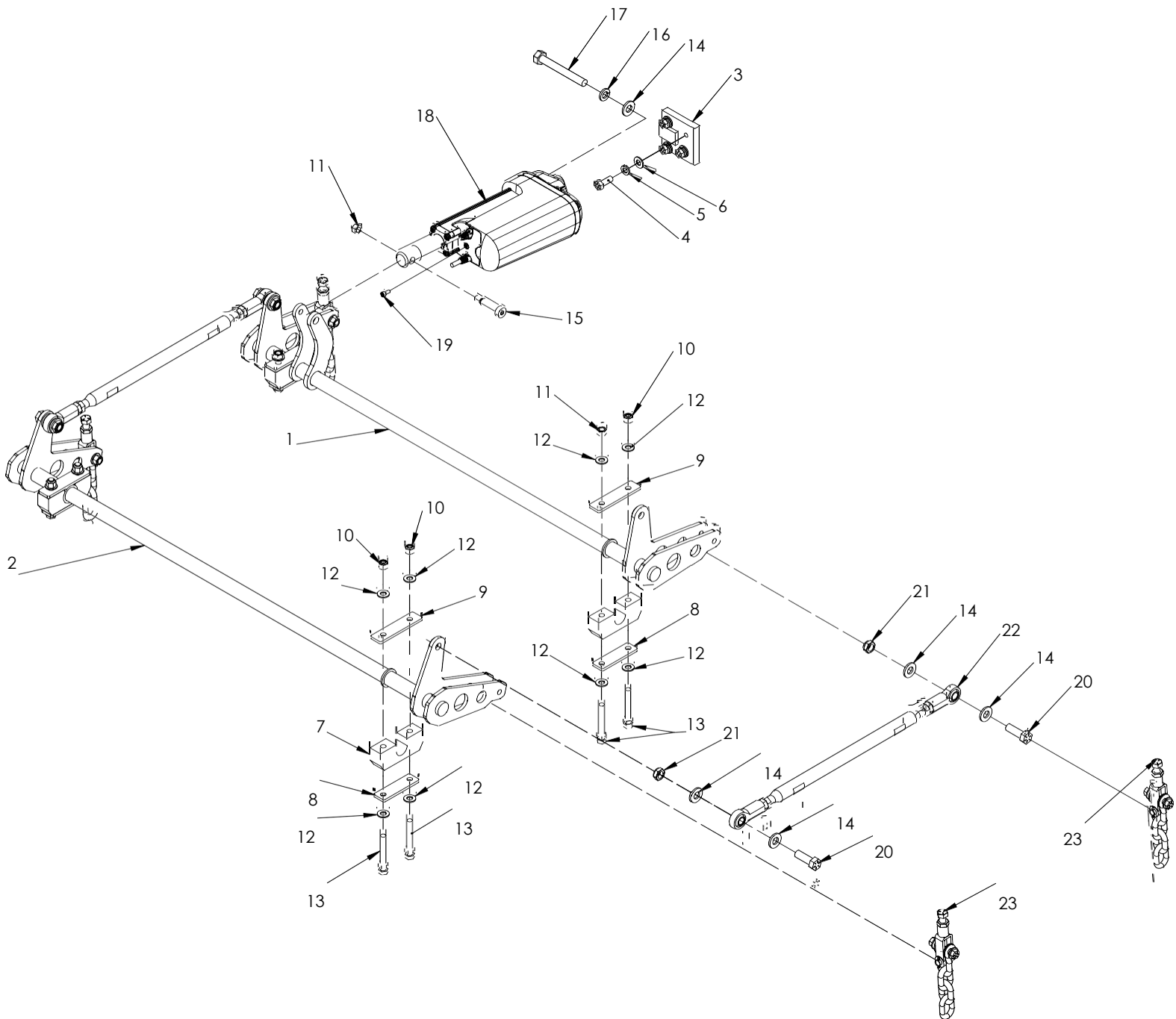
STABILIZER ASSEMBLY

ITEM	PART#	QTY	DESCRIPTION
1	AMGEVO36	1	WDMT-STABILIZER BRKT
2	MGHDW305-1	11	NUT, 3/8-16, NYLOCK, Z
3	MGHDW703	11	CARRIAGE BOLT, 3/8-16 x 1, FT, Z
4	MGHDW202-1	11	WASHER, 3/8 SAE, FLAT, Z
5	MGHDW320	6	NUT, 1/2-13, NYLOCK, YZ
6	MGHDW210	12	WASHER, 1/2 SAE, FLAT, YZ
7	MGHDW147	6	HCS, 1/2-13 x 2-1/2, PT, YZ
8	MGUPN124	2	DECK STABLIZING ARM 13.625
9	MGUPN125	1	DECK STABLIZING ARM 22.00

MEAN GREEN PRODUCTS

4404 Hamilton Cleves Rd, Hamilton, OH 45013

DECK LIFT ASSEMBLY

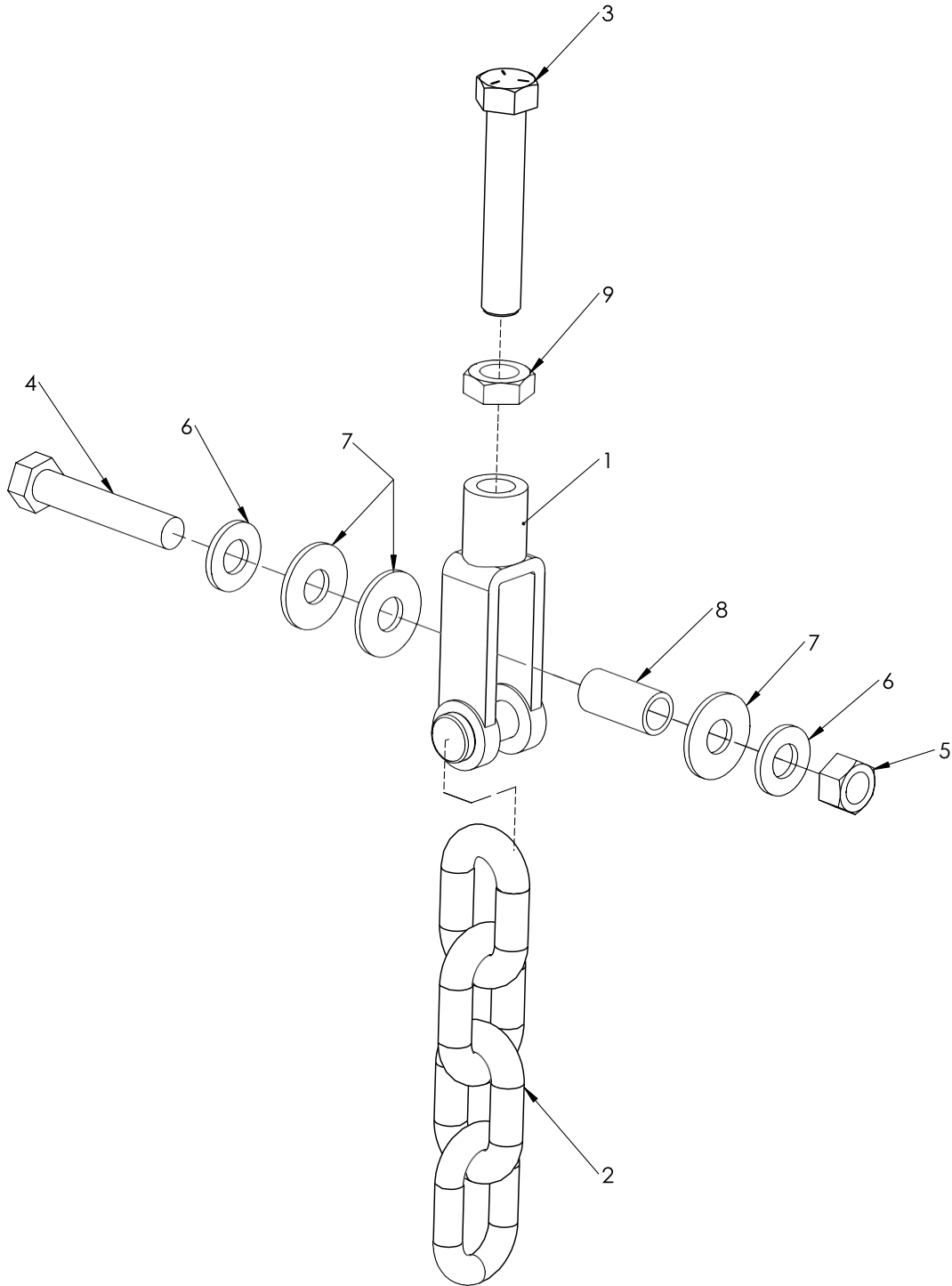


MEAN GREEN PRODUCTS
4404 Hamilton Cleves Rd, Hamilton, OH 45013

DECK LIFT ASSEMBLY

ITEM	PART#	QTY	DESCRIPTION
1	AMGEVO11	1	WDMT-EVO DECK LIFT BAR-REAR
2	AMGEVO10	1	WDMT-EVO DECK LIFT BAR-FRONT
3	MGUPN366	1	BRACKET DECK HEIGHT ACTUATOR
4	MGHDW120	4	HCS, 3/8-16 x 1, FT, YZ
5	MGHDW202	4	WASHER, 3/8 SAE, FLAT, YZ
6	MGHDW204	4	WASHER, 3/8 MED SPLIT, LOCK, YZ
7	MGUPN086	4	BRACKET-DECK HEIGHT ADJ MOUNT
8	MGMUP031	4	PILLOW BLOCK SPACER-TOP
9	MGEVO035	4	PILLOW BLOCK SPACER-BOTTOM
10	MGHDW305	6	NUT, 3/8-16, NYLOCK, YZ
11	MGHDW317	3	NUT, 3/8-16, TOP LOCK, Z
12	MGHDW202	16	WASHER, 3/8 SAE, FLAT, YZ
13	MGHDW128	8	HCS, 3/8-16 x 2-3/4, PT, YZ
14	MGHDW210	13	WASHER, 1/2 SAE, FLAT, YZ
15	MGHDW603	1	SCS, 1/2 OD x 1-1/2 LG x 3/8-16, Z
16	MGHDW216	1	WASHER, 1/2 MED SPLIT, LOCK, YZ
17	MGHDW153	1	HCS, 1/2-13 x 4, PT, YZ
18	MGELC059	1	DECK LIFT ACTUATOR LA36 4" STR
19	MGHDW621	1	SCS, M5-0.8 x 12MM, SHCS, B-D Z
20	MGHDW143	4	HCS, 1/2-13 x 1-1/2, FT, YZ
21	MGHDW314	4	NUT, 1/2-13, HALF NYLOCK, YZ
22	MGUPN480	2	DECK LIFT ARM BAR
23	AMGUPN83	4	ASSY-DECK CHAIN-4 LINK

DECK CHAIN ASSEMBLY



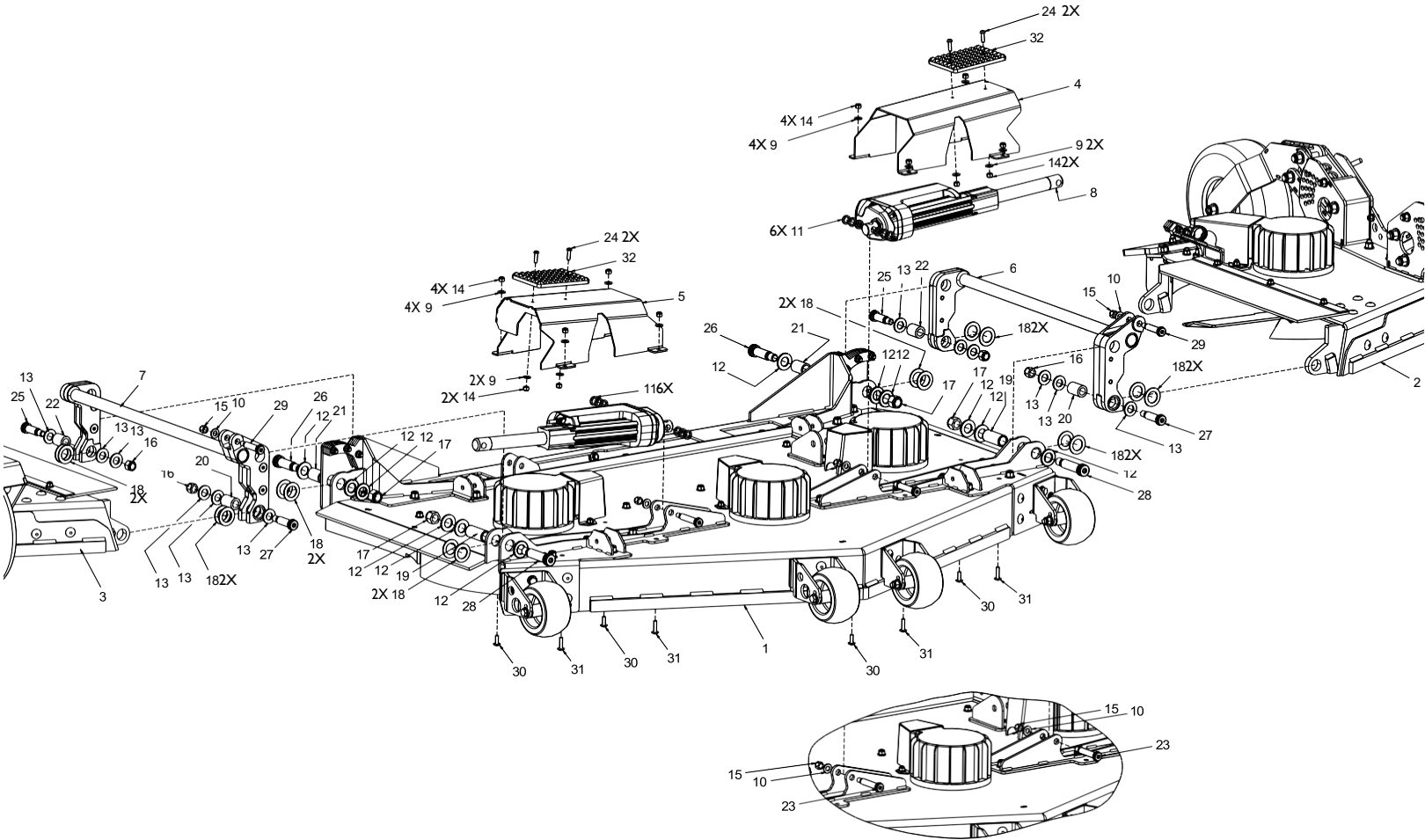
DECK CHAIN ASSEMBLY

ITEM	PART#	QTY	DESCRIPTION
1	MGUPN123	1	CLEVIS-7/16-20, 2-7/8 SHANK
2	MGUPN130-4	1	CHAIN 4 LINK GRADE 30 5/16
3	MGHDW170	1	HCS, 7/16-20 x 2, FT, YZ
4	MGHDW125	1	HCS, 3/8-16 x 2, PT, YZ
5	MGHDW305	1	NUT, 3/8-16, NYLOCK, YZ
6	MGHDW202	2	NUT, 3/8-16, NYLOCK, YZ
7	MGHDW203	3	WASHER, 3/8 SAE, FLAT, YZ
8	MGHDW403	1	SPACERS, 3/8 ID x 1/2 OD x 1 L, Z
9	MGHDW326	1	NUT, 7/16-20, JAM NUT, YZ

MEAN GREEN PRODUCTS

4404 Hamilton Cleves Rd, Hamilton, OH 45013

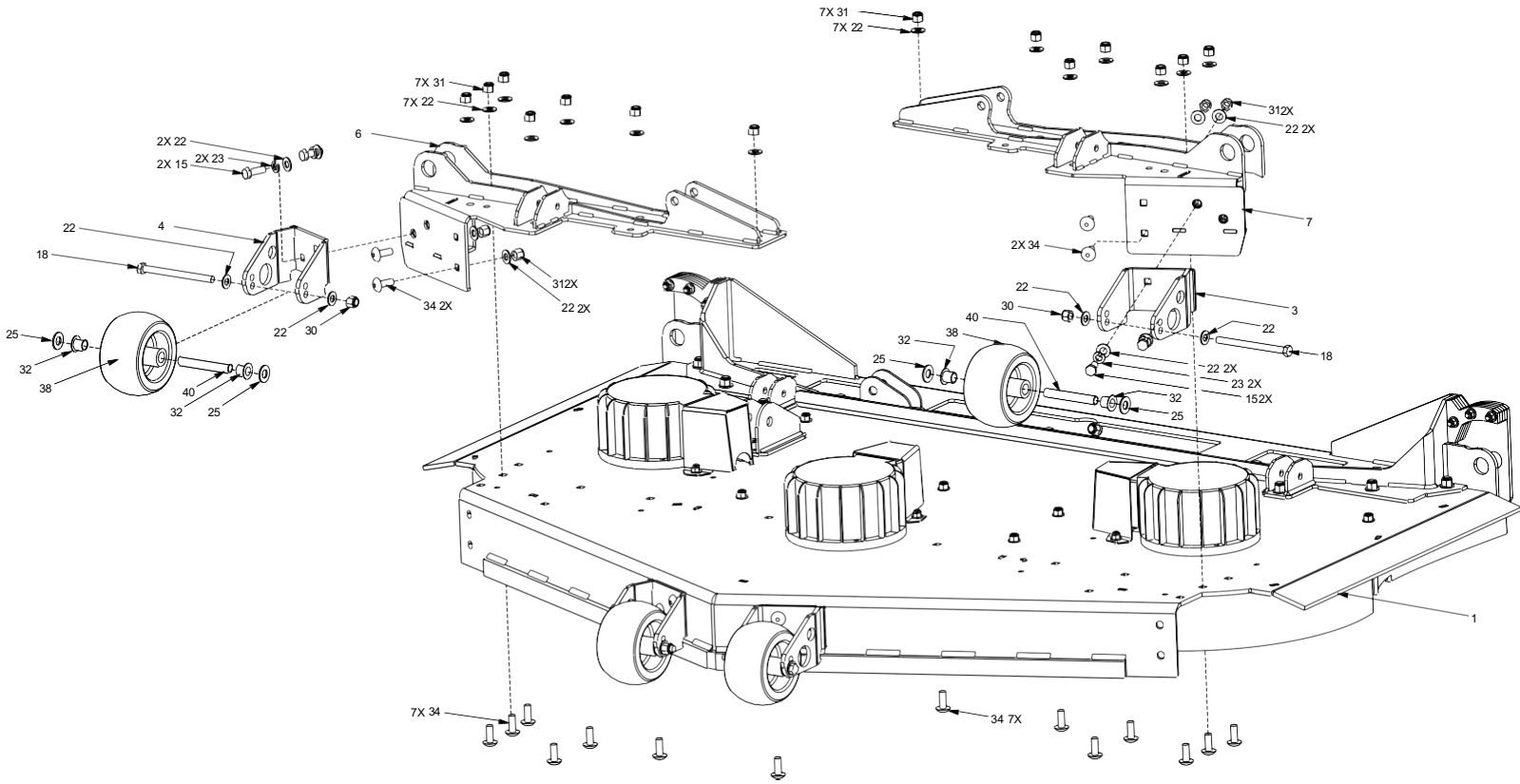
96 RD DECK OVERVIEW



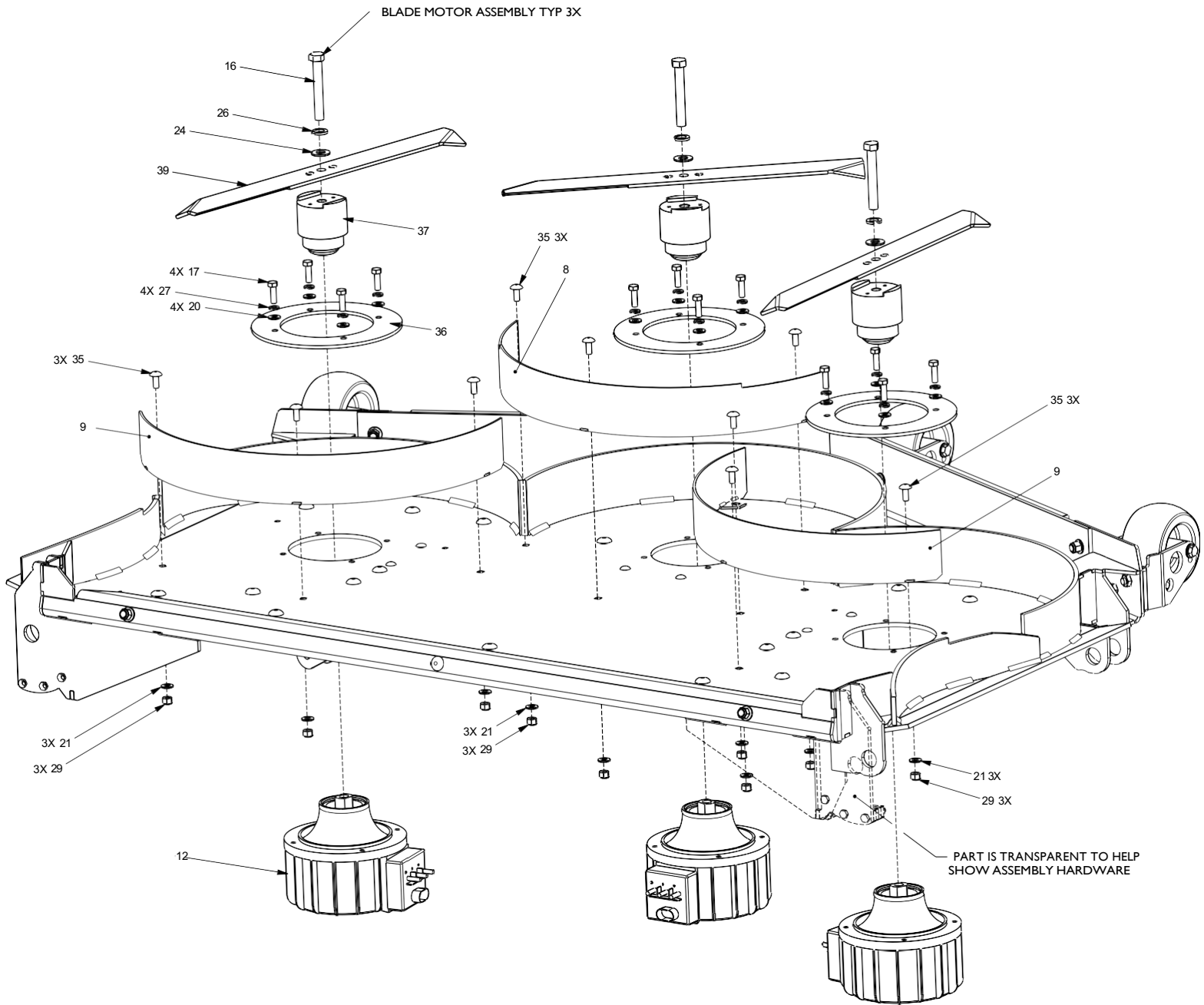
96 RD DECK OVERVIEW

ITEM	PART#	QTY	DESCRIPTION
1	AMGEVO96R02	1	ASSY-CNTR DECK-96R
2	AMGEVO96R03	1	ASSY-96R WING DECK LH
3	AMGEVO96R04	1	ASSY-96R WING DECK RH
4	AMGEVO96R52	1	STOR-WDMT-96R CTR DECK LH ACTUATOR COVER
5	AMGEVO96R53	1	STOR-WDMT-96R CTR DECK RH ACTUATOR COVER
6	AMGEVO96R68	1	STOR-WDMT-96R LH ACTUATOR LIFT ARM
7	AMGEVO96R71	1	STOR-WDMT-96R RH ACTUATOR LIFT ARM
8	MGELC229	2	ACTUATOR DECK WING 6IN STROKE
9	MGHDW200	12	WASHER, 1/4 SAE FLAT, YZ
10	MGHDW202	4	WASHER, 3/8 SAE, FLAT, YZ
11	MGHDW212	12	WASHER, 1/2 ID x 3/4 OD x 1/8 THK, NYLON
12	MGHDW248	12	WASHER, 3/4 SAE, YZ
13	MGHDW249	12	WASHER, 5/8 SAE, NARROW, Z
14	MGHDW303	12	NUT, 1/4-20, NYLOCK, YZ
15	MGHDW305	4	NUT, 3/8-16, NYLOCK, YZ
16	MGHDW320	4	NUT, 1/2-13, NYLOCK, YZ
17	MGHDW338-1	4	NUT, 5/8-11, NYLOCK, Z
18	MGHDW417	16	SPACER, 1"ID x1 5/8 OD x 1/6"L, BR
19	MGHDW418	2	SPACER, .75" ID x 1" OD x 2.25" L, BR
20	MGHDW419	2	SPACER, .625 ID X 1" OD X 1.5" L, BR
21	MGHDW420	2	SPACER, .75" ID x 1" OD x 1.5" L, BR
22	MGHDW421	2	SPACER, .625 ID X 1" OD X 1.25" L, BR
23	MGHDW614	4	SCS, 1/2 OD x 2-1/4 LG x 3/8-16, Z
24	MGHDW626	2	SCS, 1/4-20 x 5/8, BHSCS, S/S 18-8
25	MGHDW634	2	SCS, 5/8 OD x 1-1/2 LG x 1/2-13, BO
26	MGHDW635	2	SCS, 3/4 OD x 1-7/8 LG x 5/8-11, BO
27	MGHDW636	2	SCS, 5/8 OD x 1-3/4 LG x 1/2-13, BO
28	MGHDW637	2	SCS, 3/4 OD x 2-1/2 LG x 5/8-11, BO
29	MGHDW638	2	SCS, 1/2 OD x 1-7/8 LG x 3/8-16, BO
30	MGHDW700	4	CARRIAGE BOLT, 1/4-20 x 3/4, FT, Z
31	MGHDW701	4	CARRIAGE BOLT, 1/4-20 x 1, FT, Z
32	MGUPN092	2	DECK STEP ALUMINUM

96 RD DECK CENTER

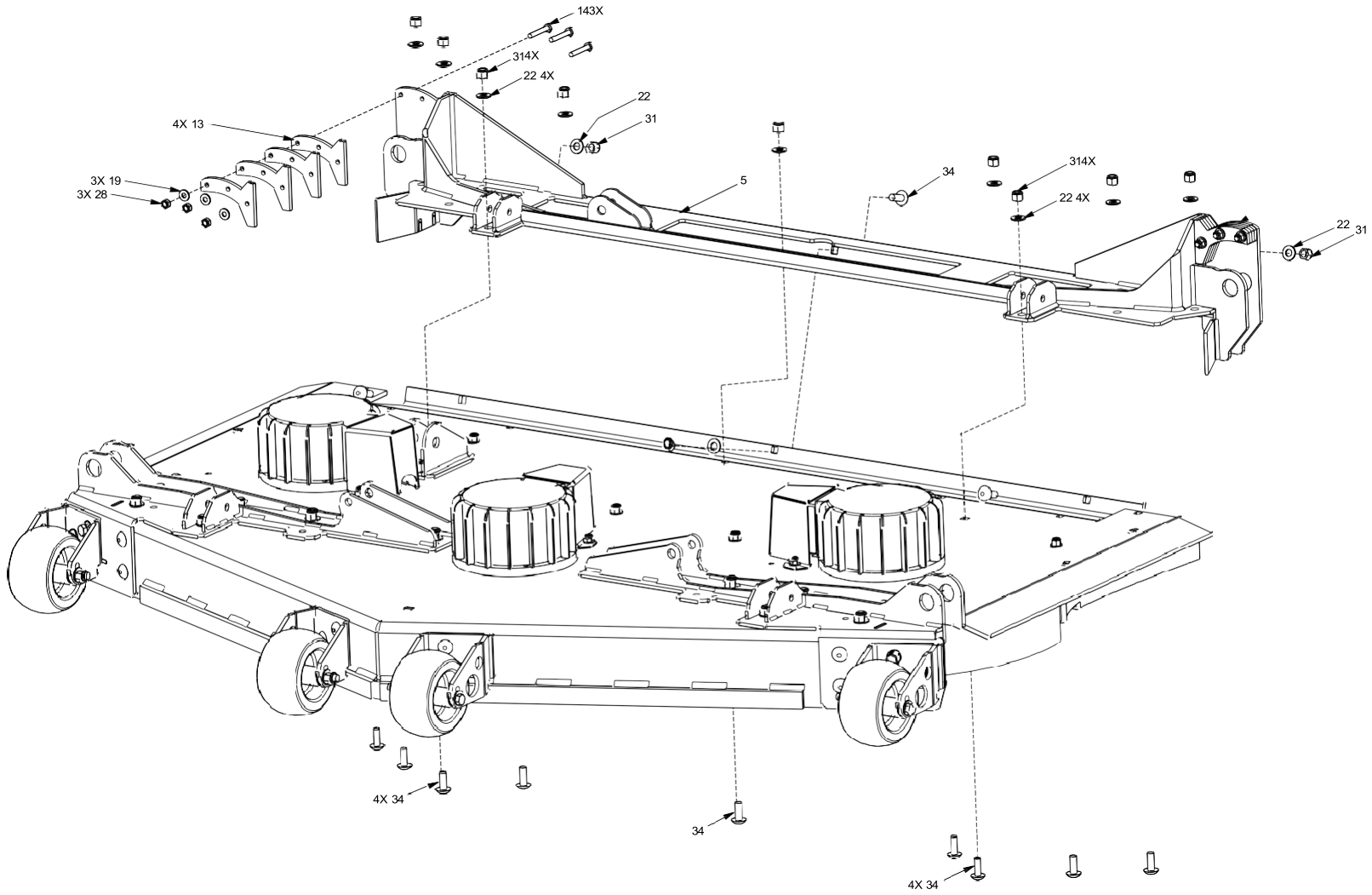


96 RD DECK CENTER

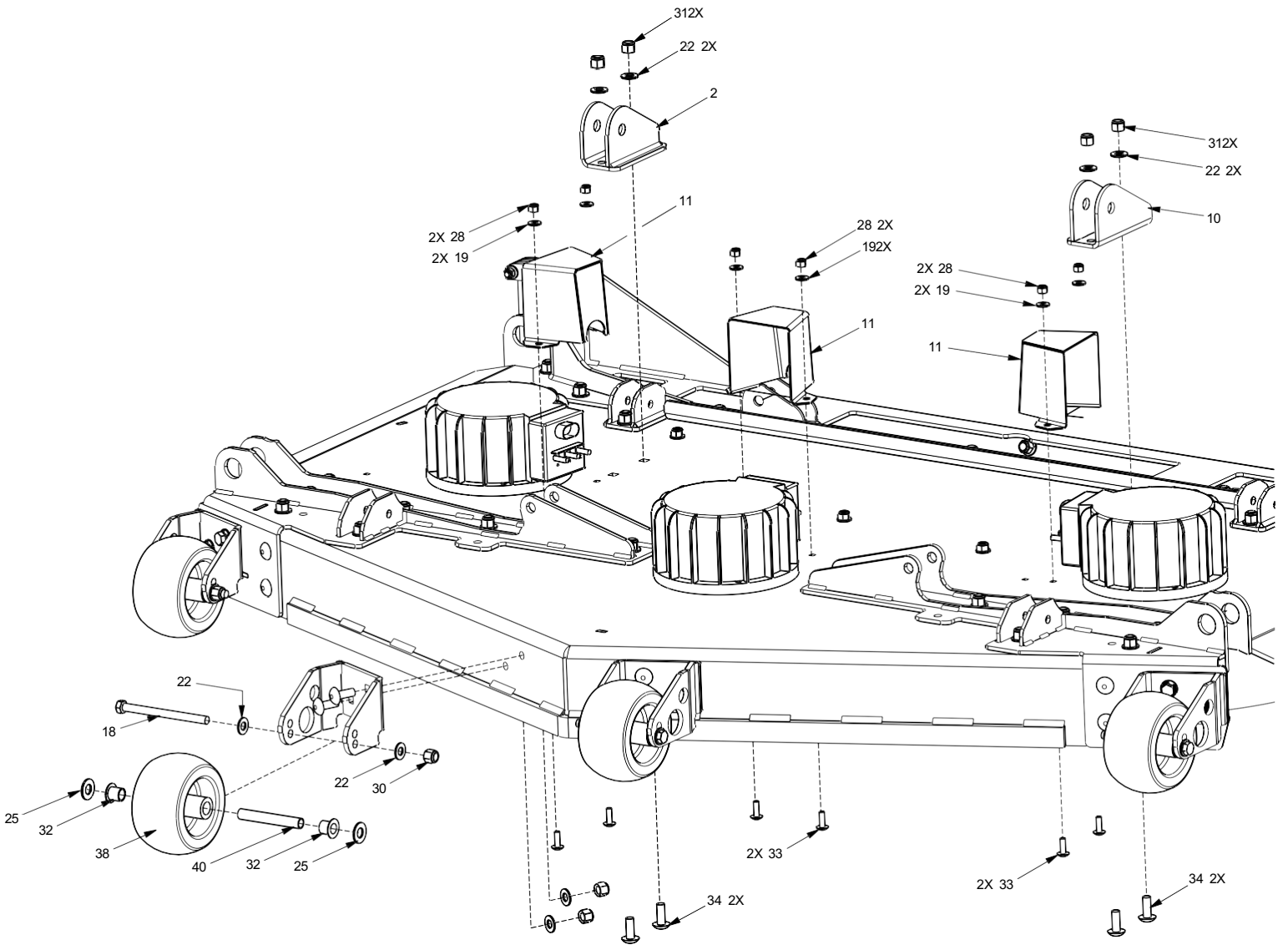


MEAN GREEN PRODUCTS
4404 Hamilton Cleves Rd, Hamilton, OH 45013

96 RD DECK CENTER



96 RD DECK CENTER



MEAN GREEN PRODUCTS
4404 Hamilton Cleves Rd, Hamilton, OH 45013

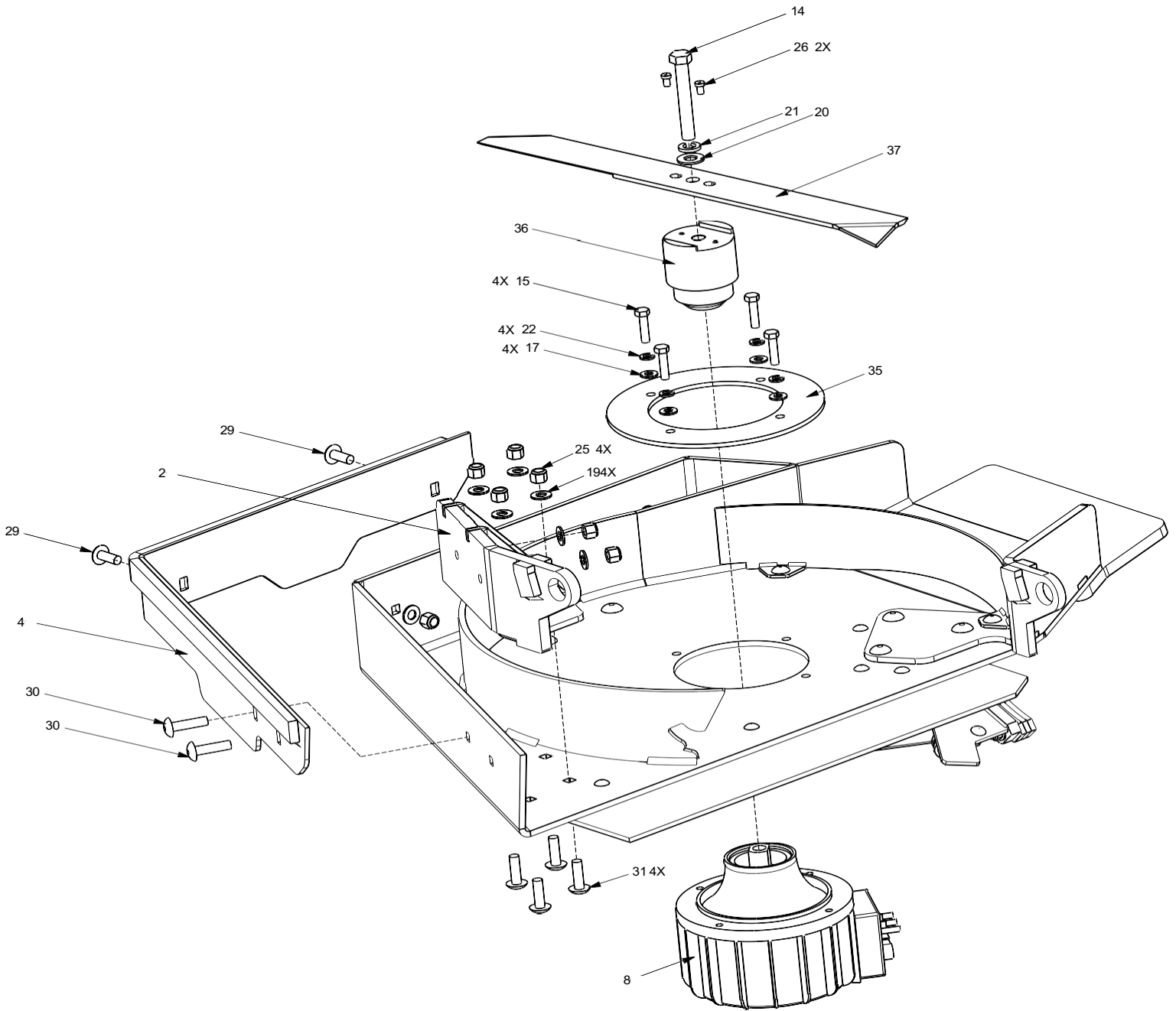
96 RD DECK CENTER

ITEM	PART#	QTY	DESCRIPTION
1	AMGEVO96R08	1	ALOR-WDMT-CNTR DECK
2	AMGEVO96R09	1	STOR-WDMT-96R-CHAIN MOUNT
3	AMGEVO96R10	2	STOR-WDMT-CNTR DECK ANTI-SCALP-LH
4	AMGEVO96R11	2	STOR-WDMT-CNTR DECK ANTI-SCALP-RH
5	AMGEVO96R40	1	STOR-WDMT- CNTR DECK REAR MOUNT
6	AMGEVO96R50	1	STOR-WDMT-CNTR DECK FRNT RH MT
7	AMGEVO96R51	1	STOR-WDMT-CNTR DECK FRNT LH MT
8	AMGEVO96R64	1	STOR-WDMT-CNTR DECK REMOVABLE BAFFLE
9	AMGEVO96R65	2	STOR-WDMT-CNTR DECK REM BAFFLE SIDE
10	AMGEVO96R72	1	STOR-WDMT-CHAIN MOUNT
11	AMGMUP06	3	WDMT-WIRE GUARD
12	MGELC016-1	3	HG SILVER BLADE MOTOR
13	MGEVO96R092	8	SSOR KICKSTAND HOLD UP BRKT
14	MGHDW105	6	HCS, 1/4-20x1-3/4, PT, YZ
15	MGHDW120	4	HCS, 3/8-16 x 1, FT, YZ
16	MGHDW151	3	HCS, 1/2-13 x 3-1/2, PT, YZ
17	MGHDW169-1	12	HCS, 5/16-24 x 1- FT, YZ
18	MGHDW182	4	HCS, 3/8-16 x 4-3/4, PT, YZ
19	MGHDW200	12	WASHER, 1/4 SAE FLAT, YZ
20	MGHDW201	12	WASHER, 5/16 SAE, FLAT, YZ
21	MGHDW201-1	9	WASHER, 5/16 SAE, FLAT, Z
22	MGHDW202	50	WASHER, 3/8 SAE, FLAT, YZ
23	MGHDW204	4	WASHER, 3/8 MED SPLIT, LOCK, YZ
24	MGHDW210	3	WASHER, 1/2 SAE, FLAT, YZ
25	MGHDW211	8	WASHER, 1/2 ID x 1 OD x 0.08 THK, NYLON
26	MGHDW216	3	WASHER, 1/2 MED SPLIT, LOCK, YZ
27	MGHDW217	12	WASHER, 5/16 MED SPLIT, LOCK, YZ
28	MGHDW303	12	NUT, 1/4-20, NYLOCK, YZ
29	MGHDW304-1	9	NUT, 5/16-18, NYLOCK, Z
30	MGHDW305	4	NUT, 3/8-16, NYLOCK, YZ
31	MGHDW305-1	38	NUT, 3/8-16, NYLOCK, Z
32	MGHDW407	8	SPACERS, 1/2 ID x 5/8 L, RED, PLASTIC
33	MGHDW700	6	CARRIAGE BOLT, 1/4-20 x 3/4, FT, Z
34	MGHDW703	38	CARRIAGE BOLT, 3/8-16 x 1, FT, Z
35	MGHDW706	9	CARRIAGE BOLT, 5/16-18 x 3/4, FT, Z
36	MGMUP021	3	MOTOR SUPPORT RING
37	MGUPN001	3	BLADE MOTOR ADAPTER
38	MGUPN023	4	ANTI-SCALP WHEEL 5" x 2.75"
39	MGUPN107	3	BLADE, 20.6" RH
40	MGUPN497	4	DECK SPANNER ANTI-SCALP

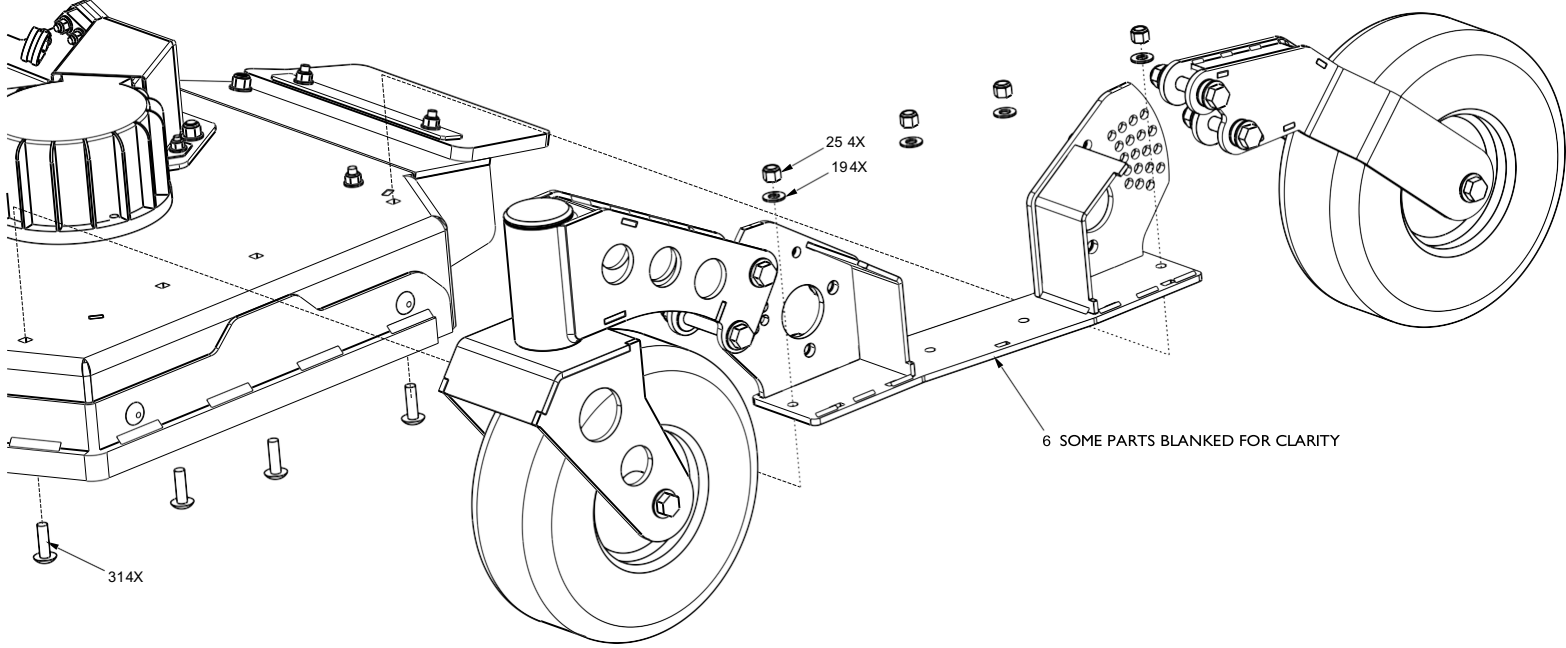
MEAN GREEN PRODUCTS

4404 Hamilton Cleves Rd, Hamilton, OH 45013

96 RD DECK LH WING



96 RD DECK LH WING



96 RD DECK LH WING

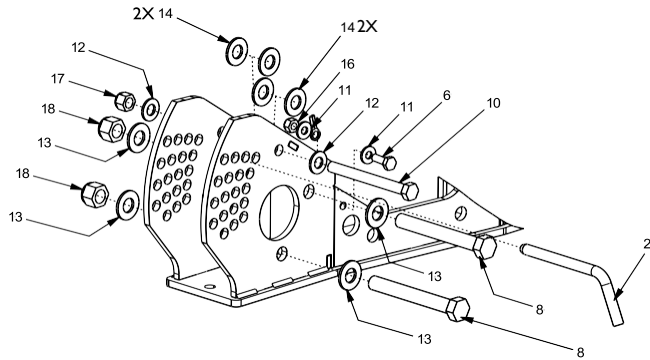
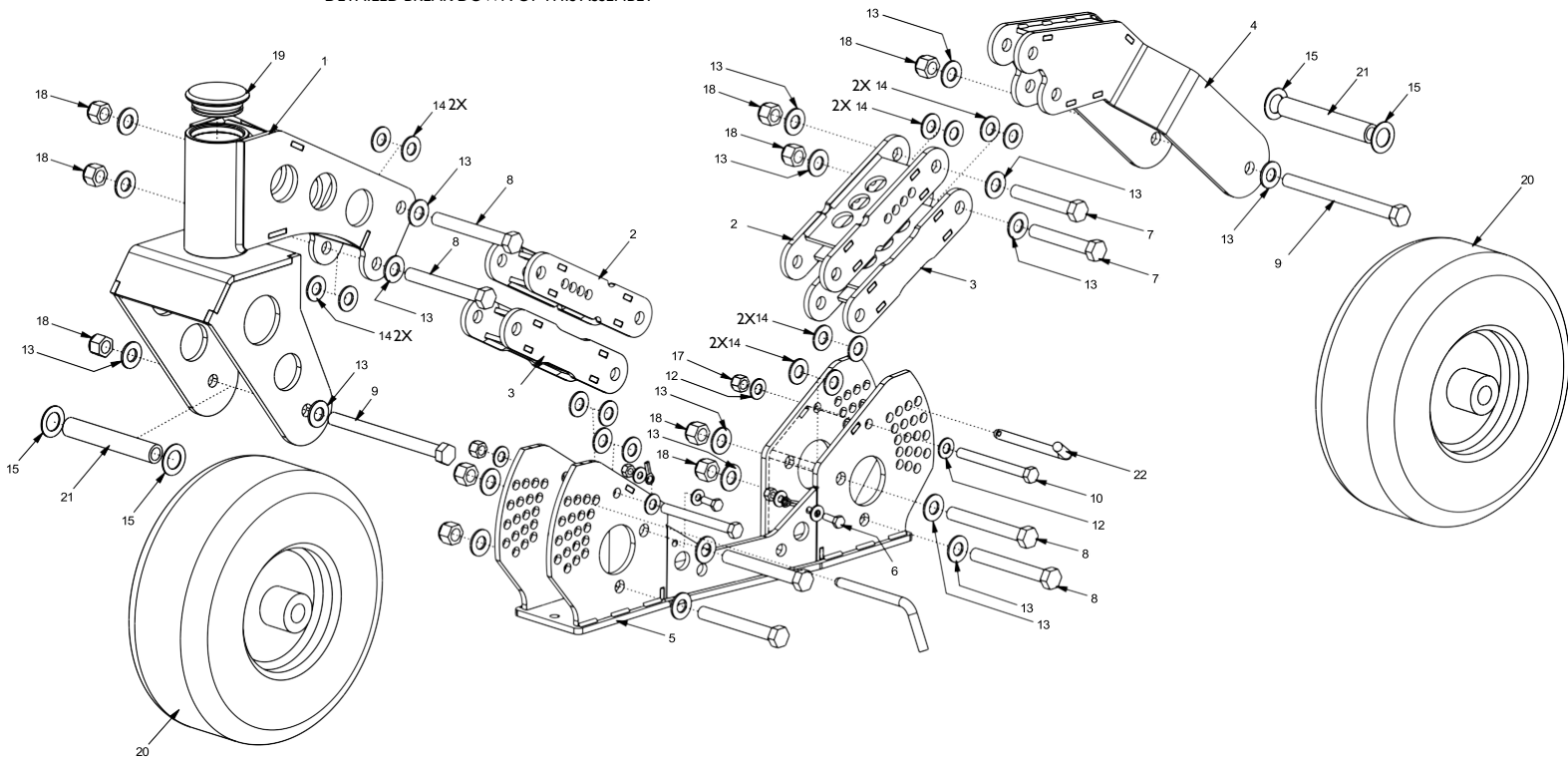
ITEM	PART#	QTY	DESCRIPTION
1	AMGEVO96R12	1	ALOR-WDMT-96R WING DECK LH
2	AMGEVO96R43	1	STOR-WDMT-FRONT LIFT LH
3	AMGEVO96R45	1	STOR-WDMT-REAR LIFT LH
4	AMGEVO96R54	1	STOR-WDMT-LH WING DECK REINFORCEMENT
5	AMGEVO96R58	1	STOR-WDMT-96R WING DECK LH KICKSTAND
6	AMGEVO96R62	1	ASSY-96R LH WING DECK BOGIE WHEEL
7	AMGEVO96R67	1	STOR-WDMT-WING DECK LH REMOVABLE BAFFLE
8	MGELC016-1	1	HG SILVER BLADE MOTOR
9	MGEVO96R087	3	SSOR KICKSTAND WEAR PLATE
10	MGEVO96R119	1	STOR WING DECK CHUTE BRACE
11	MGEVO96R124	1	STOR WING DECK CLOSE OFF BRKT
12	MGEVO96R136	1	STOR LH WING DECK WIRE COVER
13	MGHDW105	2	HCS, 1/4-20x1-3/4, PT, YZ
14	MGHDW151	1	HCS, 1/2-13 x 3-1/2, PT, YZ
15	MGHDW169-1	4	HCS, 5/16-24 x 1, FT, YZ
16	MGHDW200	8	WASHER, 1/4 SAE FLAT, YZ
17	MGHDW201	4	WASHER, 5/16 SAE, FLAT, YZ
18	MGHDW201-1	4	WASHER, 5/16 SAE, FLAT, Z
19	MGHDW202-1	16	WASHER, 3/8 SAE, FLAT, Z
20	MGHDW210	1	WASHER, 1/2 SAE, FLAT, YZ
21	MGHDW216	1	WASHER, 1/2 MED SPLIT, LOCK, YZ
22	MGHDW217	4	WASHER, 5/16 MED SPLIT, LOCK, YZ
23	MGHDW303	8	NUT, 1/4-20, NYLOCK, YZ
24	MGHDW304-1	4	NUT, 5/16-18, NYLOCK, Z
25	MGHDW305-1	16	NUT, 3/8-16, NYLOCK, Z
26	MGHDW609	2	SCS, 1/4-20 x 3/8, LHSCS, PH
27	MGHDW700	1	CARRIAGE BOLT, 1/4-20 x 3/4, FT, Z
28	MGHDW701	5	CARRIAGE BOLT, 1/4-20 x 1, FT, Z
29	MGHDW703	3	CARRIAGE BOLT, 3/8-16 x 1, FT, Z
30	MGHDW704	2	CARRIAGE BOLT, 3/8-16 x 1-1/2, FT, Z
31	MGHDW705	11	CARRIAGE BOLT, 3/8-16 x 1-1/4, FT, Z
32	MGHDW707	1	CARRIAGE BOLT, 5/16-18 x 1, FT, Z
33	MGHDW708	1	CARRIAGE BOLT, 5/16-18 x 1-1/4, FT, Z
34	MGHDW718	2	CARRIAGE BOLT, 5/16-18 x 1-1/2, FT, Z
35	MGMUP021	1	MOTOR SUPPORT RING
36	MGUPN001	1	BLADE MOTOR ADAPTER
37	MGUPN107	1	BLADE, 20.6" RH
38	MGUPN485	1	CUSH CLAMP 1"
39	MGUPN554	1	RUBBER, 96 DECK, WING SEAL
40	MGUPN555	1	RUBBER, 96 DECK, REAR WING CHUTE

MEAN GREEN PRODUCTS

4404 Hamilton Cleves Rd, Hamilton, OH 45013

LH WING BOGIE WHEEL ASSEMBLY

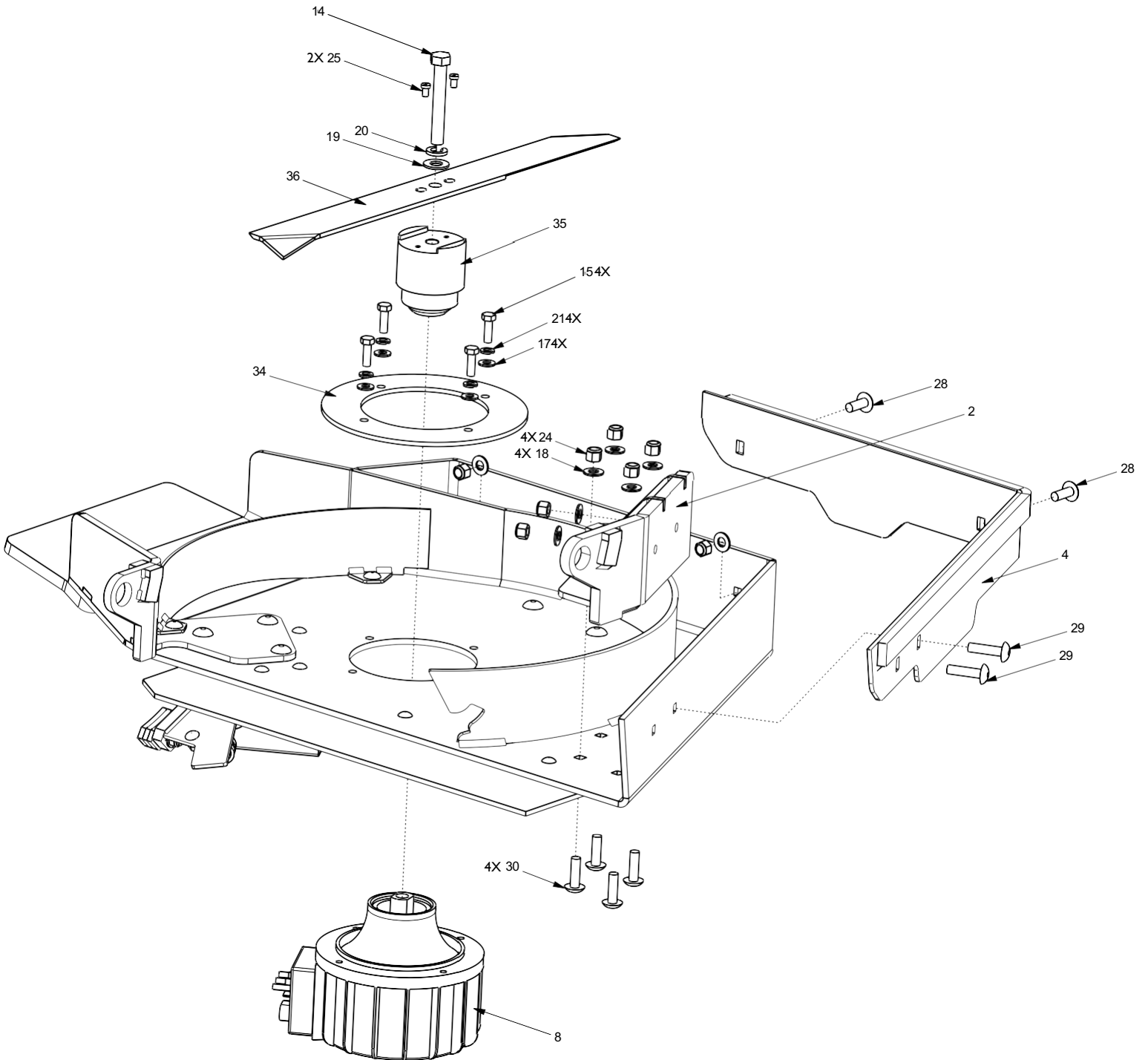
SEE ADDITIONAL VIEW FOR
DETAILED BREAK DOWN OF THIS ASSEMBLY



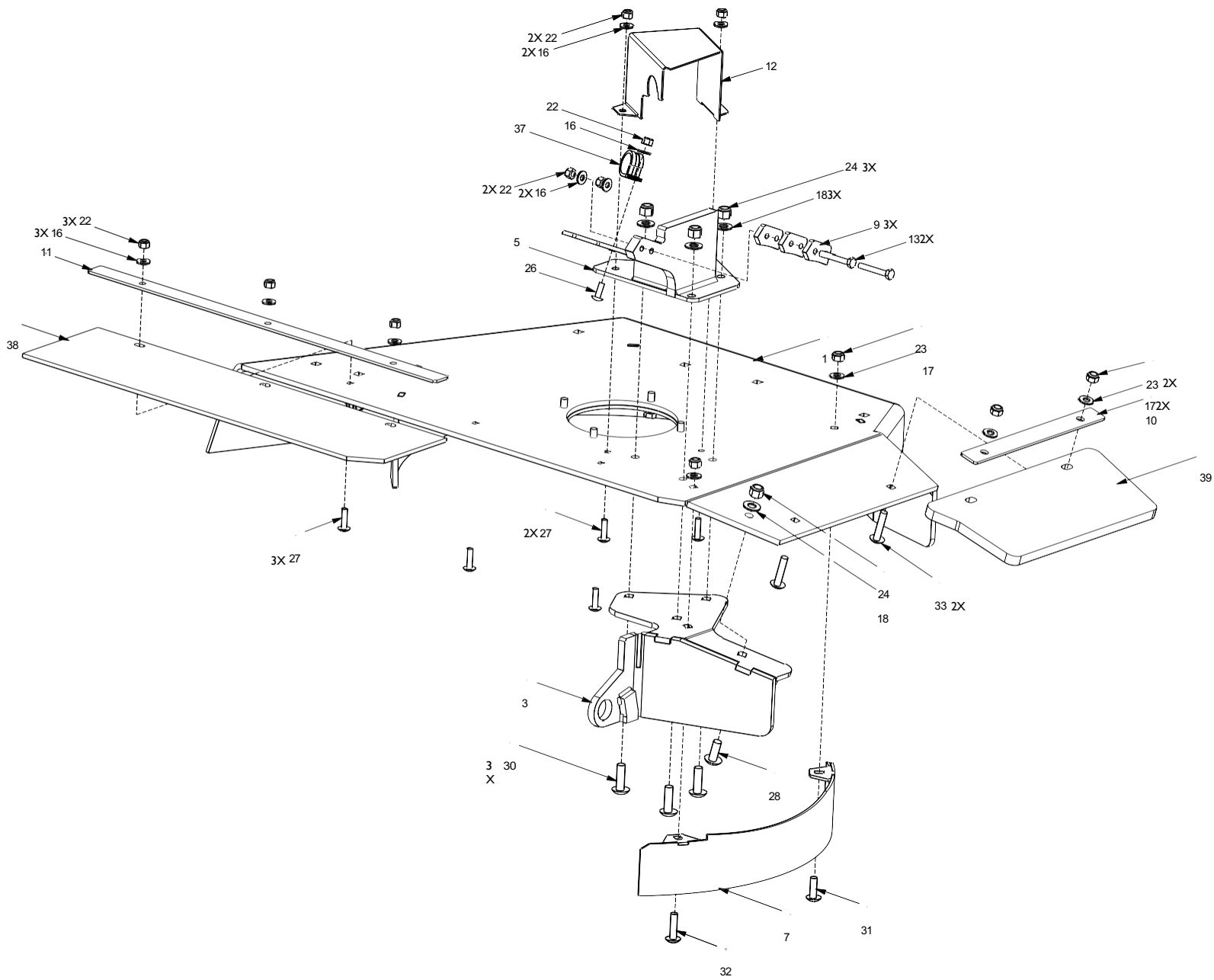
LH WING BOGIE WHEEL ASSEMBLY

ITEM	PART#	QTY	DESCRIPTION
1	AMGEVO96R22	1	BOGIE WHEEL, WING DECK, FRONT
2	AMGEVO96R23	2	STOR-WDMT-96R WING DECK ADJ TOP HGT PIN
3	AMGEVO96R24	2	STOR-WDMT-96R WING DECK ADJ BTM
4	AMGEVO96R27	1	STOR-WDMT-96R WING DECK REAR FIXED YOKE
5	AMGEVO96R60	1	STOR-WDMT-96R L WING DECK BOGIE WHL BASE
6	MGHDW101	2	HCS, 1/4-20 x 3/4, FT, YZ
7	MGHDW150	2	HCS, 1/2-13 x 3-1/4, PT, YZ
8	MGHDW153	6	HCS, 1/2-13 x 4, PT, YZ
9	MGHDW155	2	HCS, 1/2-13 x 6, PT, YZ
10	MGHDW168	2	HCS, 3/8-16 x 3-3/4, PT, YZ
11	MGHDW200	4	WASHER, 1/4 SAE FLAT, YZ
12	MGHDW202	4	WASHER, 3/8 SAE, FLAT, YZ
13	MGHDW210	20	WASHER, 1/2 SAE, FLAT, YZ
14	MGHDW211	16	WASHER, 1/2 ID x 1 OD x 0.08 THK, NYLON
15	MGHDW237-1	6	WASHER, 3/4 18GA, MB, PLAIN
16	MGHDW303	2	NUT, 1/4-20, NYLOCK, YZ
17	MGHDW305	2	NUT, 3/8-16, NYLOCK, YZ
18	MGHDW320	10	NUT, 1/2-13, NYLOCK, YZ
19	MGUPN090	1	SPINDLE CAPS
20	MGUPN217	2	WHEEL NO FLAT 11"x4" 5-3.25
21	MGUPN573	1	SPANNER-3/4 O.D. x 1/2 I.D. x 4.73 LG
22	MGUPN577	2	PIN-3-1/8IN BENT HANDLE WITH LANYARD

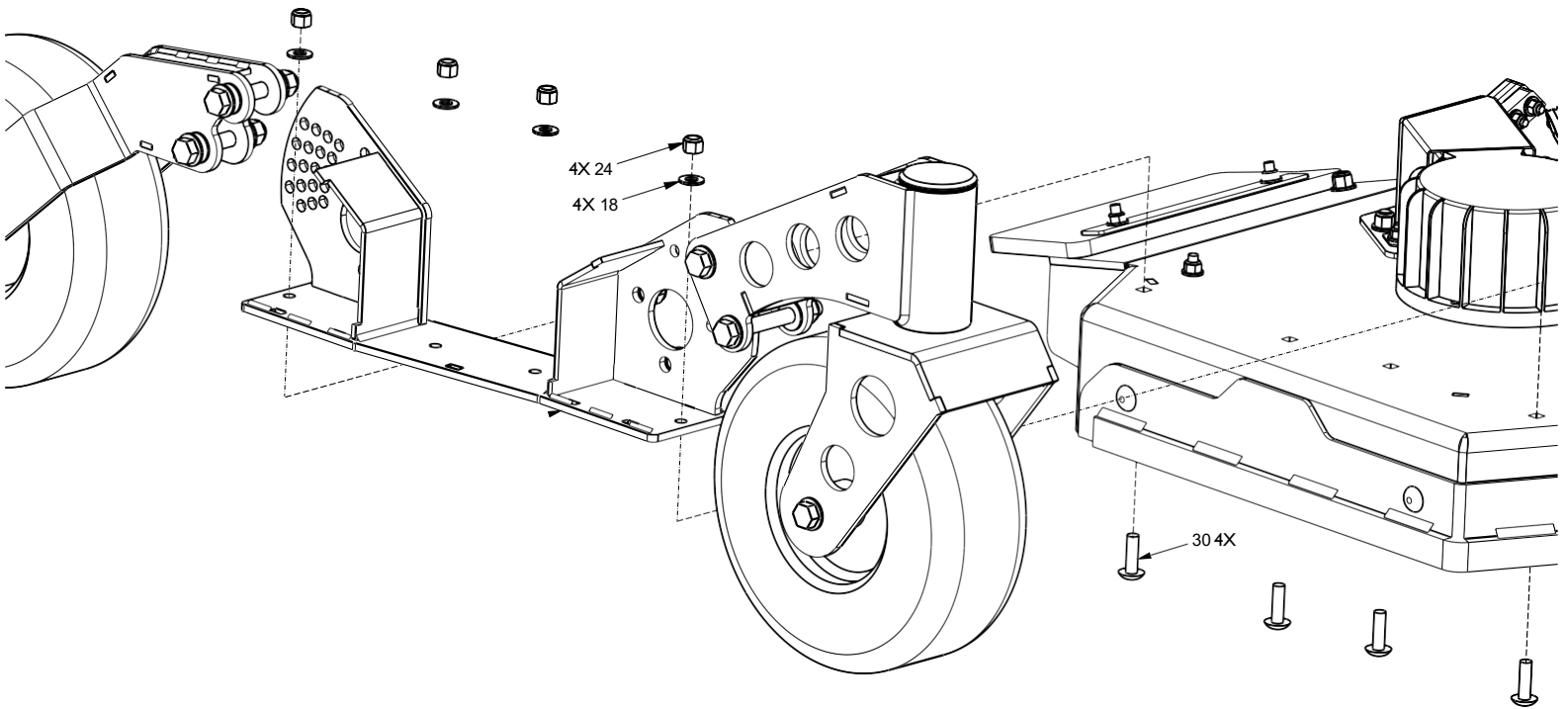
96 DECK RH WING



96 DECK RH WING



96 RD DECK RH WING



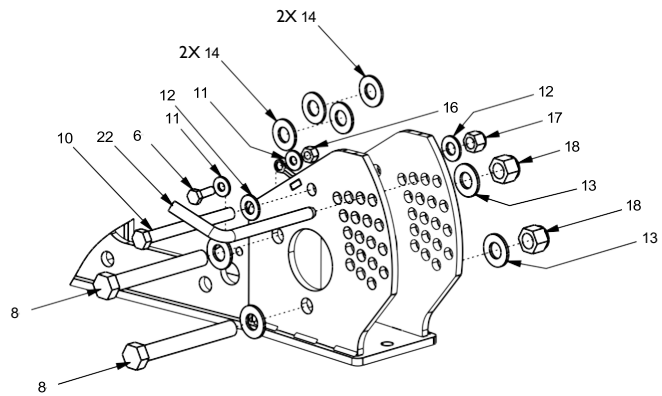
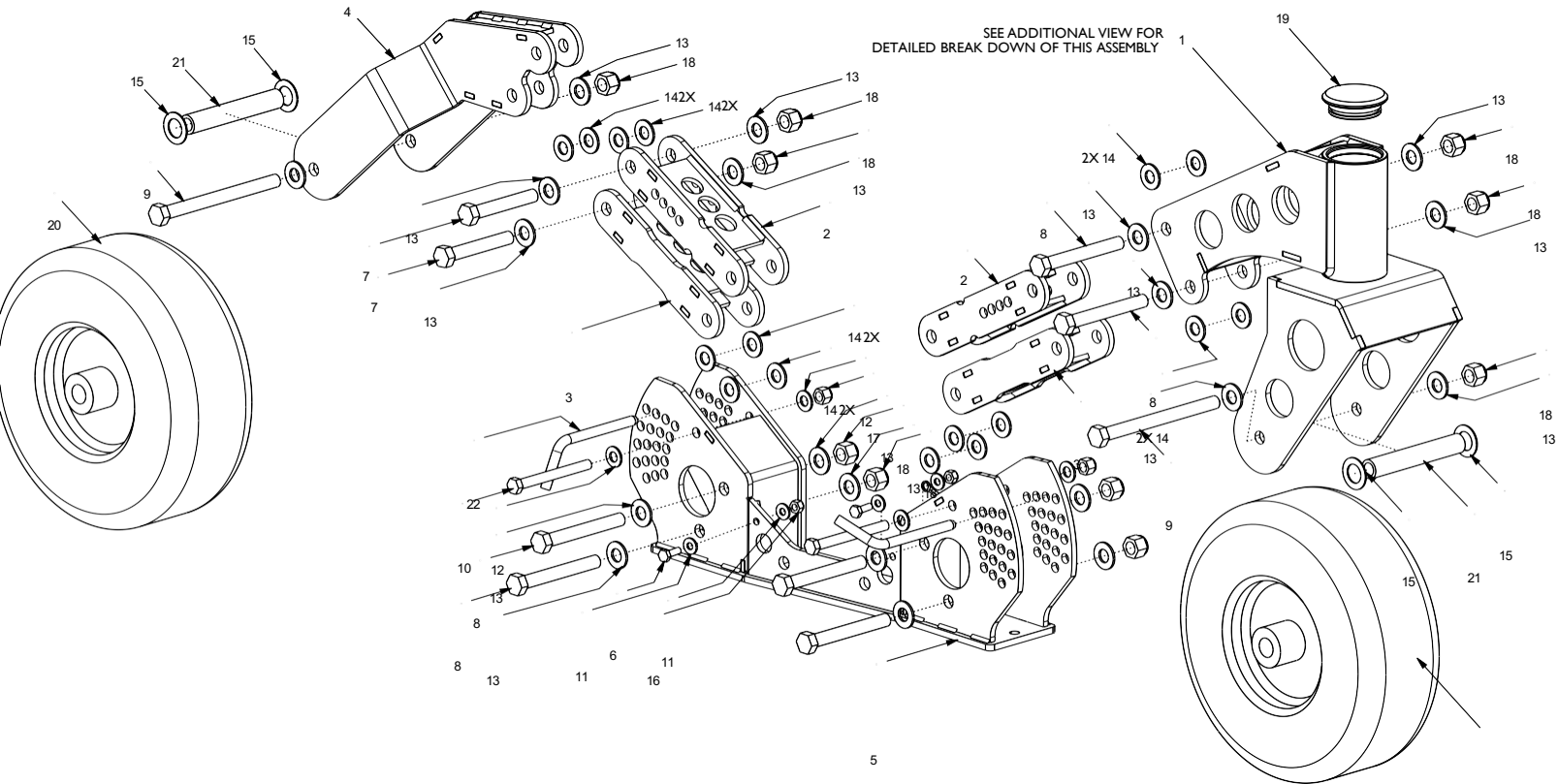
96 RD DECK RH WING

ITEM	PART#	QTY	DESCRIPTION
1	AMGEVO96R17	1	ALOR-WDMT-96R WING DECK RH
2	AMGEVO96R44	1	STOR-WDMT-FRONT LIFT RH
3	AMGEVO96R46	1	STOR-WDMT-REAR LIFT RH
4	AMGEVO96R55	1	STOR-WDMT-RH WING DECK REINFORCEMENT
5	AMGEVO96R59	1	STOR-WDMT-96R WING DECK RH KICKSTAND
6	AMGEVO96R63	1	ASSY-96R RH WING DECK BOGIE WHEEL
7	AMGEVO96R66	1	STOR-WDMT-WING DECK RH REMOVABLE BAFFLE
8	MGELC016-1	1	HG SILVER BLADE MOTOR
9	MGEVO96R087	3	SSOR KICKSTAND WEAR PLATE
10	MGEVO96R119	1	STOR WING DECK CHUTE BRACE
11	MGEVO96R124	1	STOR WING DECK CLOSE OFF BRKT
12	MGEVO96R137	1	STOR RH WING DECK WIRE COVER
13	MGHDW105	2	HCS, 1/4-20x1-3/4, PT, YZ
14	MGHDW151	1	HCS, 1/2-13 x 3-1/2, PT, YZ
15	MGHDW169-1	4	HCS, 5/16-24 x 1, FT, YZ
16	MGHDW200	8	WASHER, 1/4 SAE FLAT, YZ
17	MGHDW201-1	8	WASHER, 5/16 SAE, FLAT, Z
18	MGHDW202-1	16	WASHER, 3/8 SAE, FLAT, Z
19	MGHDW210	1	WASHER, 1/2 SAE, FLAT, YZ
20	MGHDW216	1	WASHER, 1/2 MED SPLIT, LOCK, YZ
21	MGHDW217	4	WASHER, 5/16 MED SPLIT, LOCK, YZ
22	MGHDW303	8	NUT, 1/4-20, NYLOCK, YZ
23	MGHDW304-1	4	NUT, 5/16-18, NYLOCK, Z
24	MGHDW305-1	16	NUT, 3/8-16, NYLOCK, Z
25	MGHDW609	2	SCS, 1/4-20 x 3/8, LHSCS, PH
26	MGHDW700	1	CARRIAGE BOLT, 1/4-20 x 3/4, FT, Z
27	MGHDW701	5	CARRIAGE BOLT, 1/4-20 x 1, FT, Z
28	MGHDW703	3	CARRIAGE BOLT, 3/8-16 x 1, FT, Z
29	MGHDW704	2	CARRIAGE BOLT, 3/8-16 x 1-1/2, FT, Z
30	MGHDW705	11	CARRIAGE BOLT, 3/8-16 x 1-1/4, FT, Z
31	MGHDW707	1	CARRIAGE BOLT, 5/16-18 x 1, FT, Z
32	MGHDW708	1	CARRIAGE BOLT, 5/16-18 x 1-1/4, FT, Z
33	MGHDW718	2	CARRIAGE BOLT, 5/16-18 x 1-1/2, FT, Z
34	MGMUP021	1	MOTOR SUPPORT RING
35	MGUPN001	1	BLADE MOTOR ADAPTER
36	MGUPN108	1	BLADE, 20.6" LH
37	MGUPN485	1	CUSH CLAMP 1"
38	MGUPN544	1	RUBBER, 96 DECK, WING SEAL
39	MGUPN555	1	RUBBER, 96 DECK, REAR WING CHUTE

MEAN GREEN PRODUCTS

4404 Hamilton Cleves Rd, Hamilton, OH 45013

RH WING BOGIE WHEEL ASSEMBLY

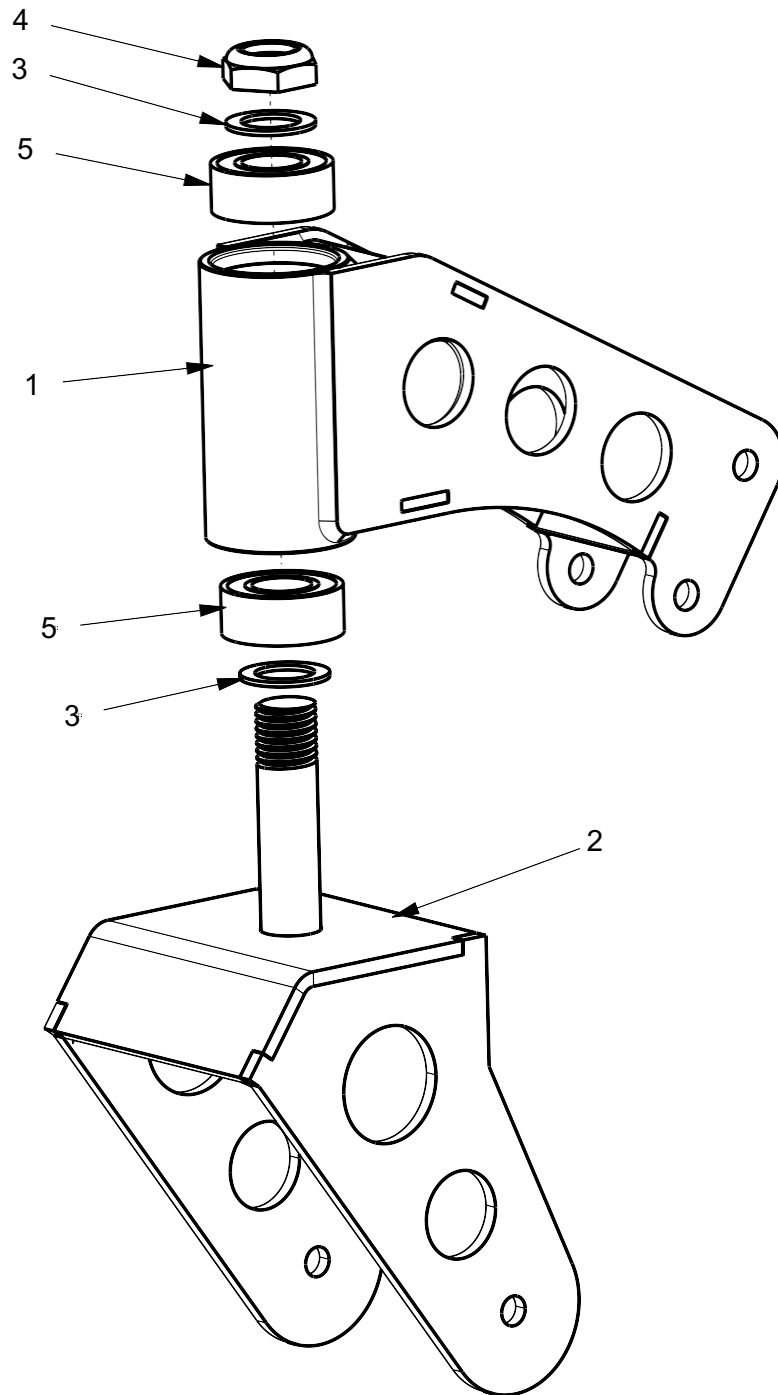


MEAN GREEN PRODUCTS
 4404 Hamilton Cleves Rd, Hamilton, OH 45013

RH WING BOGIE WHEEL ASSEMBLY

ITEM	PART#	QTY	DESCRIPTION
1	AMGEVO96R22	1	BOGIE WHEEL, WING DECK, FRONT
2	AMGEVO96R23	2	STOR-WDMT-96R WING DECK ADJ TOP HGT PIN
3	AMGEVO96R24	2	STOR-WDMT-96R WING DECK ADJ BTM
4	AMGEVO96R27	1	STOR-WDMT-96R WING DECK REAR FIXED YOKE
5	AMGEVO96R61	1	STOR-WDMT-96R R WING DECK BOGIE WHL BASE
6	MGHDW101	2	HCS, 1/4-20 x 3/4, FT, YZ
7	MGHDW150	2	HCS, 1/2-13 x 3-1/4, PT, YZ
8	MGHDW153	6	HCS, 1/2-13 x 4, PT, YZ
9	MGHDW155	2	HCS, 1/2-13 x 6, PT, YZ
10	MGHDW168	2	HCS, 3/8-16 x 3-3/4, PT, YZ
11	MGHDW200	4	WASHER, 1/4 SAE FLAT, YZ
12	MGHDW202	4	WASHER, 3/8 SAE, FLAT, YZ
13	MGHDW210	20	WASHER, 1/2 SAE, FLAT, YZ
14	MGHDW211	16	WASHER, 1/2 ID x 1 OD x 0.08 THK, NYLON
15	MGHDW237-1	6	WASHER, 3/4 18GA, MB, PLAIN
16	MGHDW303	2	NUT, 1/4-20, NYLOCK, YZ
17	MGHDW305	2	NUT, 3/8-16, NYLOCK, YZ
18	MGHDW320	10	NUT, 1/2-13, NYLOCK, YZ
19	MGUPN090	1	SPINDLE CAPS
20	MGUPN217	2	WHEEL NO FLAT 11"x4" 5-3.25
21	MGUPN573	1	SPANNER-3/4 O.D. x 1/2 I.D. x 4.73 LG
22	MGUPN577	2	PIN-3-1/8IN BENT HANDLE WITH LANYARD

BOGIE WHEEL YOKE



BOGIE WHEEL YOKE

ITEM	PART#	QTY	DESCRIPTION
1	AMGEVO96R20	1	STOR-WDMT-96R WING DECK FRNT BOGIE WHEEL
2	AMGEVO96R21	1	STOR-WDMT-96R SWIVEL YOKE
3	MGHDW228	2	WASHER, 1 ID x 1-1/2 OD 14GA SHIM, Z
4	MGHDW313	1	NUT, 1-8, HALF NYLOCK, Z
5	MGUPN386	2	1" SPINDLE BEARING

MEAN GREEN PRODUCTS

4404 Hamilton Cleves Rd, Hamilton, OH 45013

SERVICE PARTS

ITEM	PART#	QTY	DESCRIPTION
1	AMGBAT20	1	48V 888AH BATTERY
2	AMGUPN57	1	IMPULSE DRIVE ASSEMBLY
3	AMGYKE20	2	ASSY-FIXED YOKE-TWEEL-EVO
4	MGELC009	1	PTO SWITCH
5	MGELC016-1	5	HG SILVER BLADE MOTOR
6	MGELC019	1	LAP BAR SAFETY SWITCH
7	MGELC031	5	LED BLADE LIGHTS
8	MGELC038	1	PLUG-DUAL USB PORTS
9	MGELC047-ASSY-SRV	1	12V CONVERTER W/ DEUTSCH ASSY
10	MGELC055	2	MAIN FUSE, 400A
11	MGELC059	1	DECK LIFT ACTUATOR LA36 4" STR
12	MGELC096-1	1	NODE 1 DRIVE CONTROLLER MASTER
13	MGELC096-2	1	NODE 2 DRIVE CONTROLLER SLAVE
14	MGELC096-3	1	NODE 3 BLADE CONTROLLER 1 MASTER
15	MGELC096-4	1	NODE 4 BLADE CONTROLLER 2
16	MGELC096-5	1	NODE 5 BLADE CONTROLLER 3
17	MGELC096-6	1	NODE 5 BLADE CONTROLLER 4
18	MGELC096-7	1	NODE 5 BLADE CONTROLLER 5
19	MGELC105	1	CONTACTORS 48V - 200A
20	MGELC113	2	ICE CUBE RELAY 48V
21	MGELC115	1	ON/OFF BATT SWITCH
22	MGELC116	1	PUSH BUTTON START (PBS)
23	MGELC116-1	1	POWER PULL FOB - PBS
24	MGELC117	1	TOUCH SCREEN DISPLAY
25	MGELC118-4	3	DECK LIFT MODULE W/ USB
26	MGELC228	1	RULE BLOWER FAN 4IN
27	MGELC229	2	ACTUATOR DECK WING 6IN STROKE
28	MGELC261-1	2	EVO RLK FRONT LOWER LIGHT
29	MGELC261-2	2	EVO RLK FRONT UPPER LIGHT
30	MGELC262-1	2	EVO RLK REAR LIGHT
31	MGELC273	1	EVO RLK CONTROLLER
32	MGEVO96R087	6	SSOR KICKSTAND WEAR PLATE
33	MGEVO96R092	8	SSOR KICKSTAND HOLD UP BRKT
34	MGSRV-RTN-ROM-LH	1	ASSY-RTN-RIDE-ON-LH-SRV KIT
35	MGSRV-RTN-ROM-RH	1	ASSY-RTN-RIDE-ON-RH-SRV KIT
36	MGUPN001	3	BLADE MOTOR ADAPTER
37	MGUPN023	4	ANTI-SCALP WHEEL 5" x 2.75"
38	MGUPN046	4	PLATE-CONTROL SPRING RETURN
39	MGUPN047	2	SPRING-2.0LG .63OD .08WIRE
40	MGUPN048	2	CONTROLS DAMPENER 9.5 X 24 SROID
41	MGUPN090	2	SPINDLE CAPS
42	MGUPN092	2	DECK STEP ALUMINUM
43	MGUPN107	4	BLADE, 20.6" RH
44	MGUPN108	1	BLADE, 20.6" LH
45	MGUPN413	2	ROPS PIN
46	MGUPN497	4	DECK SPANNER ANTI-SCALP
47	MGUPN554	2	RUBBER, 96 DECK, WING SEAL
48	MGUPN555	2	RUBBER, 96 DECK, REAR WING CHUTE